

GPS L2 SAW FILTER

157174

Features

- Low Insertion Loss
- High out of band rejection
- Single ended configuration
- SM3030 Surface Mount Package

Specifications

Parameter	Unit	Min.	Typical	Max.
Centre Frequency (F_o)	MHz	-	1227.6	-
Insertion loss @ 1227.6 MHz	dB	-	2.0	3.0 dB
Passband Ripple, $f_o \pm 1$ MHz	dB-pp	-	0.3	0.7
3 dB Bandwidth	MHz	-	20	-
Rejection, $f_o \pm 28$ MHz	dB	15	20	-
Rejection, $f_o \pm 32$ MHz	dB	25	30	-
Rejection, $f_o \pm 35$ MHz	dB	35	40	-
Rejection, $f_o \pm 40$ MHz	dB	45	50	-
Return Loss, $f_o \pm 1$ MHz	dB	10	12	-
Operating Temperature Range	°C	-45 to +85		
Substrate Material	LiTaO ₃			

Note 1: Technical performance guaranteed over Operating Temperature Range

Note 2: Designed for 50Ω operation.

Specifications subject to change without notice

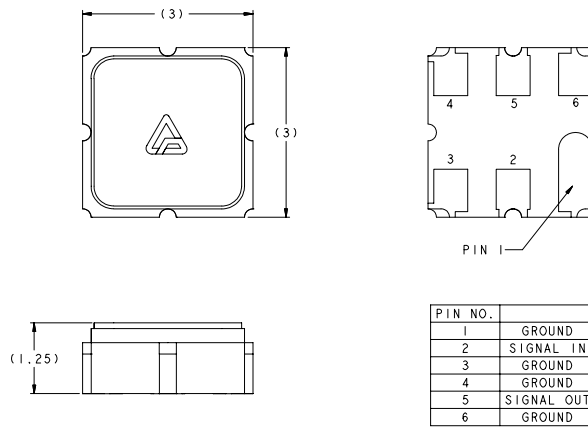
SAW PRODUCTS

COM DEV

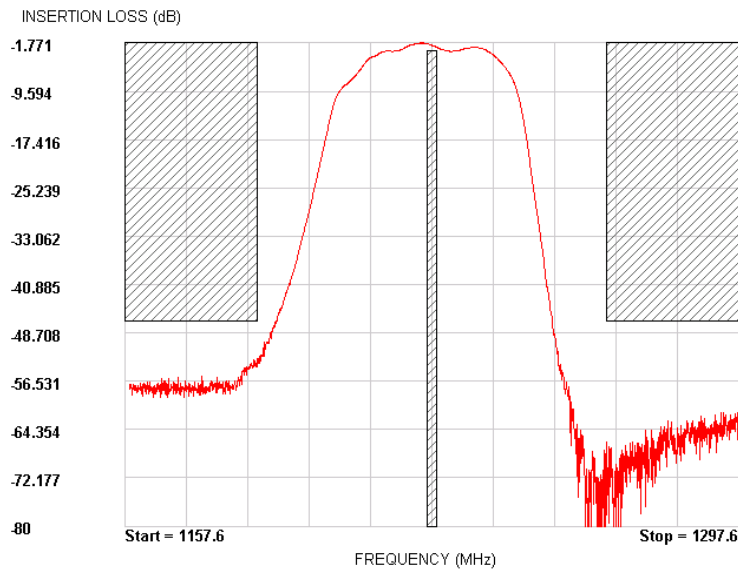
GPS L2 SAW FILTER

157174

Package Details



Typical Measured Performance Data



COM DEV SAW PRODUCTS