

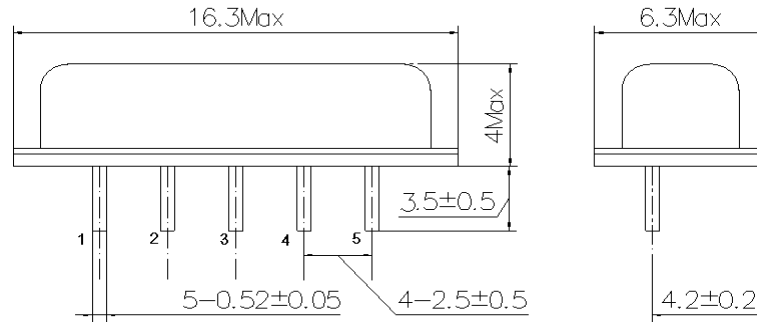
36.125 MHz/8 MHz B/W SAW Filter 162872

Specifications

Parameter	Unit	Minimum	Typical	Maximum
Center Frequency (Fo)	MHz	-	36.125	-
Insertion Loss at Fo	dB	-	17.0	19.0
Operating Temperature Range	°C	-25	-	+65
Storage Temperature Range	°C	-40	-	+85
Temperature Coefficient	ppm/°C	-	-72	-
<i>Bandwidth at -3.0 dB</i>	MHz	-	8.0	-
<i>Bandwidth at -30.0 dB</i>	MHz	-	9.4	-
Attenuation: (Ref.; 36.125MHz)				
<i>31.25 MHz</i>	dB	35	38	-
<i>32.13 MHz</i>	dB	3.0	4.5	6.0
<i>32.32 MHz</i>	dB	0.5	2.0	3.5
<i>36.125 MHz (Reference frequency)</i>	dB	-	0	-
<i>39.93 MHz</i>	dB	0.1	1.5	3.0
<i>40.13 MHz</i>	dB	1.0	2.5	4.0
<i>47.25 MHz</i>	dB	42	45	-
Relative Attenuation:				
from 25.00 to 29.50 MHz	dB	35	40	-
from 29.50 to 31.25 MHz	dB	33	36	-
from 40.90 to 43.50 MHz	dB	30	33	-
from 43.50 to 50.00 MHz	dB	35	40	-
Group Delay Variation (32.13MHz~40.13MHz)	ns	-	50	-
Maximum DC Voltage		-	10V DC.	-
Package type & size		B1		
Length x Width	mm ²	-	16.3 x 6.3	-
Height	mm	-	-	7.5

36.125 MHz/8 MHz B/W SAW Filter 162872

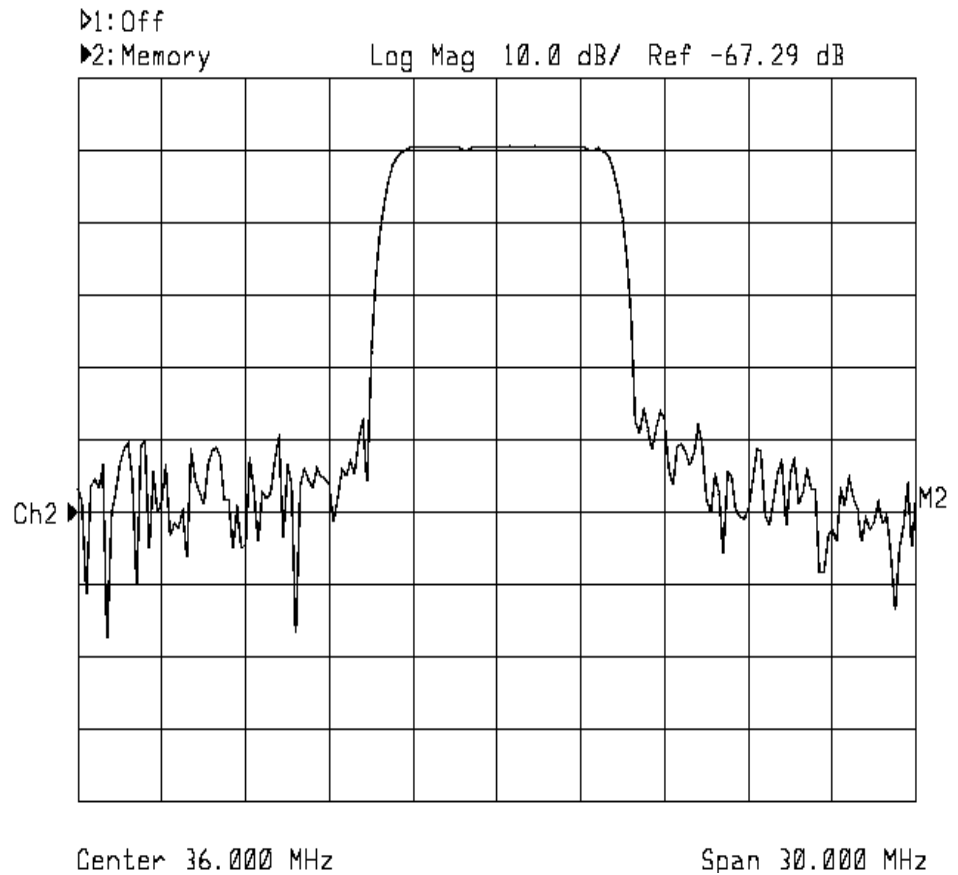
Package Outline



Typical Performance – Wideband

Horizontal : 3.0 MHz/Div

Vertical : 10 dB/Div



SAW PRODUCTS

COM DEV