

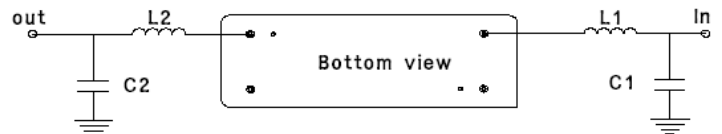
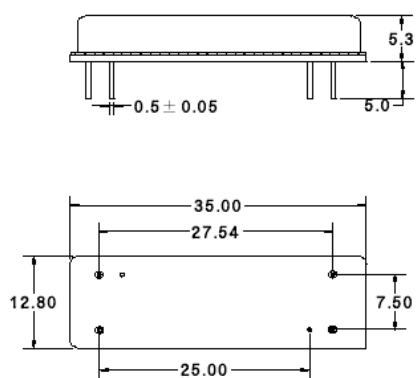
65 MHz/19.3 MHz B/W SAW Filter

162878

Specifications

Parameter	Unit	Min	Typical	Max
Center Frequency	MHz	64.92	65.00	65.08
Insertion Loss	dB	-	24.5	26.0
1 dB Bandwidth	MHz	19.10	19.30	-
3 dB Bandwidth	MHz	19.30	19.60	-
40 dB Bandwidth	MHz	-	20.80	20.90
Passband Ripple	dB	-	0.6	1.0
Ultimate Rejection	dB	50	55	-
Absolute Delay	μ sec	-	2.87	-
Group Delay Variation	nsec		70	120
Substrate			LN	

Package Outline



$L1 = 220 \text{ nH}$ $C1 = 36 \text{ pF}$
 $L2 = 220 \text{ nH}$ $C2 = 43 \text{ pF}$
 Source/Load Impedance = $50 \ \Omega$

SAW PRODUCTS

COM DEV