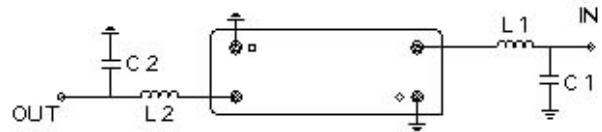
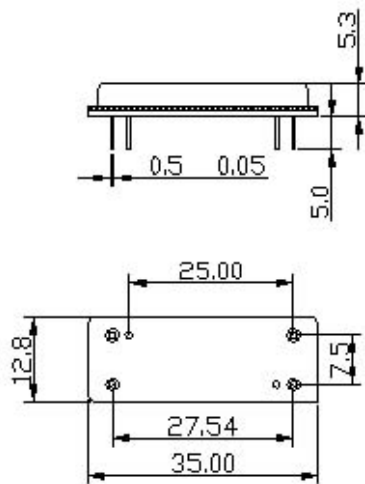


# 70.0 MHz/250 kHz B/W SAW Filter 162879

## Specifications

Parameter	Unit	Min	Typical	Max
Center Frequency	MHz	69.94	70.00	70.06
Insertion Loss	dB	-	17.5	20.0
1dB Bandwidth	MHz	0.16	0.18	-
3dB Bandwidth	MHz	0.25	0.30	-
50dB Bandwidth	MHz	-	0.9	1.0
Passband Ripple	dB	-	1.2	1.5
Group Delay Variation	nsec	-	300	1000
Absolute Delay	µsec	-	3.7	
Ultimate Rejection	dB	50	60	
Substrate Material	-	-	Qz	
Operating Temperature	°C	-40	-	+85

## Package Outline



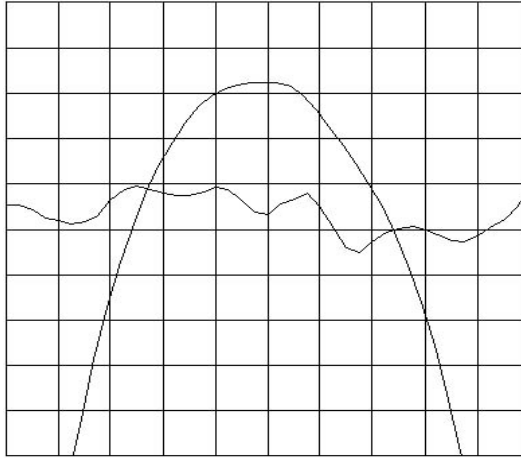
$L1 = 120 \text{ nH}$     $C1 : 62 \text{ pF}$   
 $L2 = 100 \text{ nH}$     $C1 : 27 \text{ pF}$   
 Source/Load Impedance =  $50 \Omega$

SAW PRODUCTS

# 70.0 MHz/250 kHz B/W SAW Filter

# 162879

## Typical Performance – Narrowband

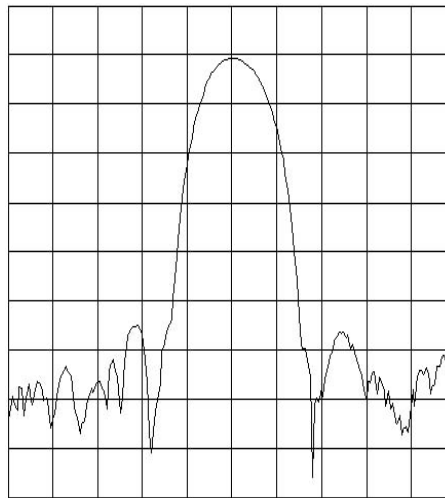


Horizontal : 0.06 MHz/Div

Vertical : 1 dB/Div

Vertical : 200 ns/Div

## Typical Performance – Wideband



Horizontal : 0.3 MHz/Div

Vertical : 10 dB/Div

SAW PRODUCTS