

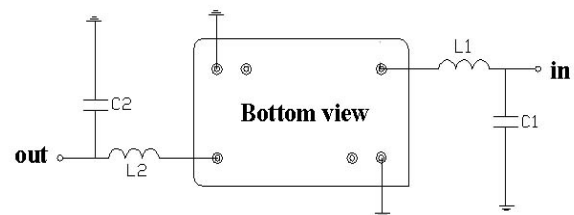
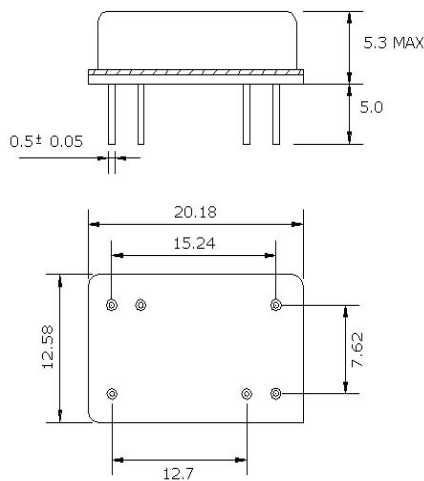
# 70 MHz/300 kHz SAW Filter

# 162880

## Specifications

Parameter	Unit	Min.	Typical	Max.
Centre Frequency	MHz	69.92	70.0	70.08
Insertion Loss	dB		13.5	16.0
1dB Bandwidth	MHz	0.12	0.18	
3dB Bandwidth	MHz	0.2	0.34	
40dB Bandwidth	MHz		1.1	1.2
Passband Ripple	dB		1.2	1.5
Group Delay Variation	nsec		300	1000
Absolute Delay	µsec		2.63	
Ultimate Rejection	dB	45	50	
Substrate Material			Qz	
Ambient Temperature	°C		25	

## Package Outline



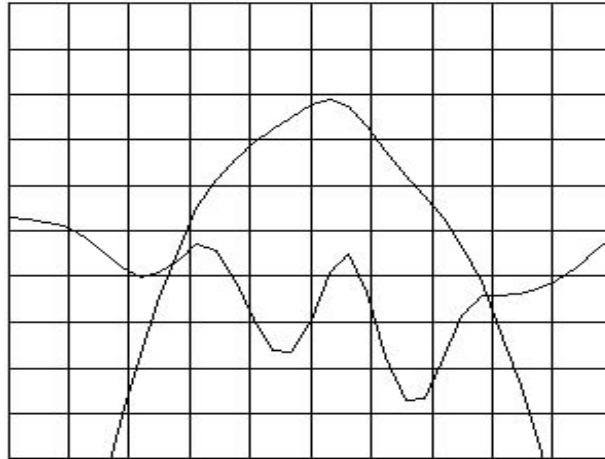
Pin	Function
L1	180 nH
L2	180 nH
C1	62 pF
C2	62 pF
Source/Load Impedance = 50 Ω	

## 70 MHz/300 kHz SAW Filter

162880

SAW PRODUCTS

### Typical Performance – Narrowband

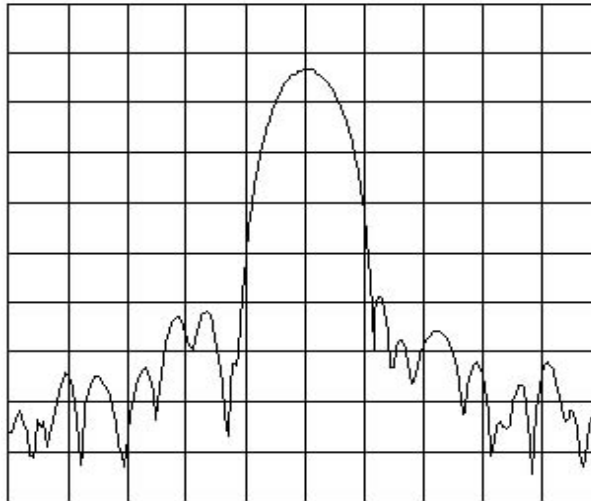


Horizontal : 0.08 MHz/Div

Vertical : 1 dB/Div

Vertical: 100 ns/Div

### Typical Performance – Wideband



Horizontal : 0.5 MHz/Div

Vertical : 10 dB/Div