

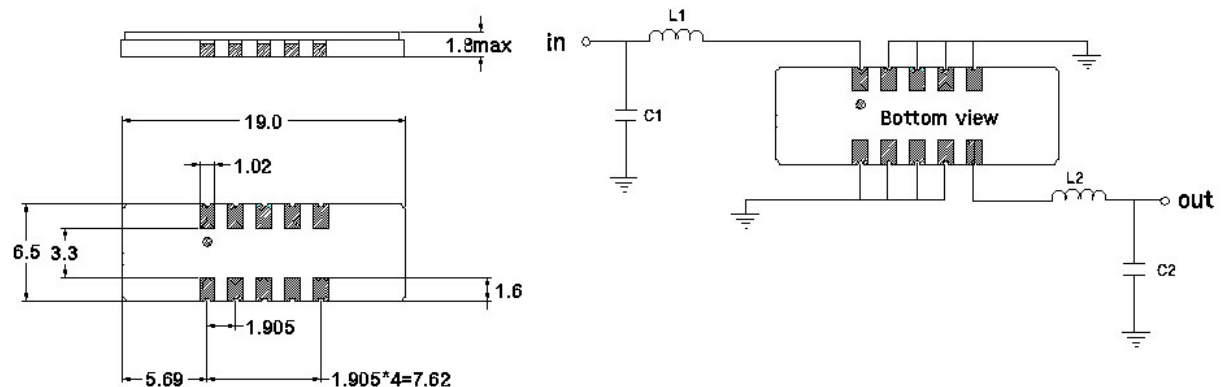
70 MHz/0.47 MHz B/W SAW Filter

162881

Specifications

Parameter	Unit	Minimum	Typical	Maximum
Center Frequency	MHz	69.97	70.00	70.03
Insertion Loss	dB		13.7	15.0
1dB Bandwidth	MHz	0.30	0.39	
3dB Bandwidth	MHz	0.47	0.59	
40dB Bandwidth	MHz		1.395	1.42
Passband Ripple	dB		0.8	1.5
Phase Linearity	degc		3.0	6.0
Group Delay Variation	nsec		300	500
Absolute Delay	µsec		2.5	
Ultimate Rejection	dB	40	50	
Substrate Material			Quartz	
Ambient Temperature	°C		25	

Package Outline



L1 = 462 nH , L2 = 348 nH

C1 = 47 pF, C2 = 52 pF

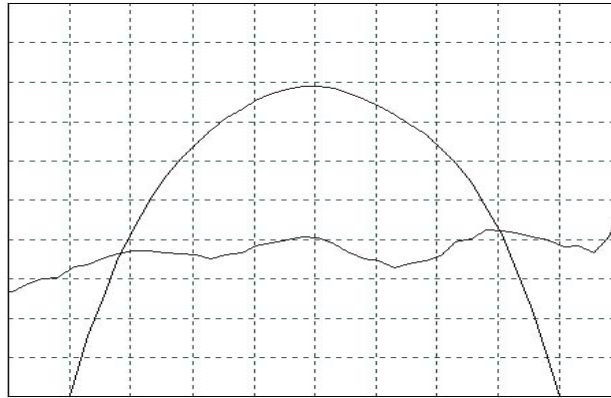
Source/Load Impedance = 50 Ω

70 MHz/0.47 MHz B/W SAW Filter

162881

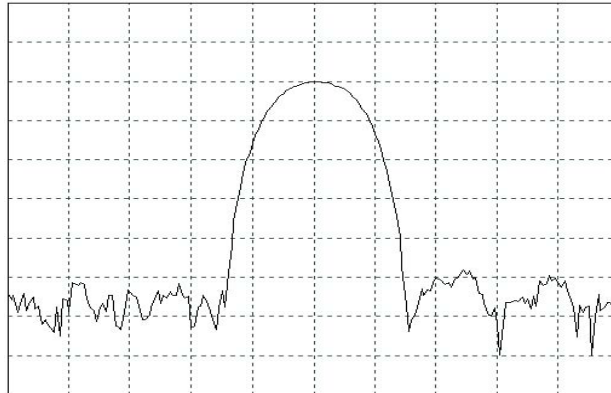
SAW PRODUCTS

Typical Performance – Narrowband



Horizontal : 0.1 MHz/Div
Vertical : 1 dB/Div
Vertical : 100 ns/Div

Typical Performance – Wideband



Horizontal : 0.5 MHz/Div
Vertical : 10 dB/Div