

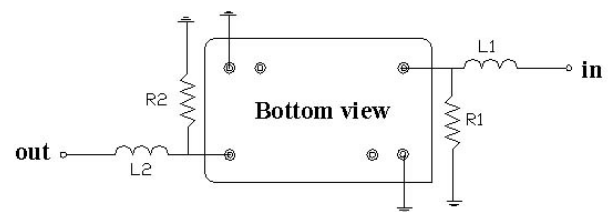
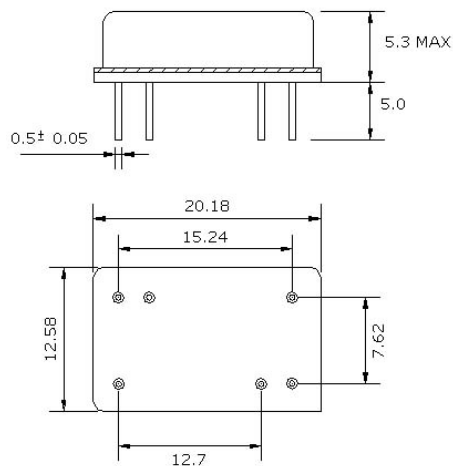
70 MHz/1.2 MHz B/W SAW Filter

162882

Specifications

Parameter	Unit	Minimum	Typical	Maximum
Center Frequency	MHz	69.94	70.00	70.06
Insertion Loss	dB		23.0	28.0
1dB Bandwidth	MHz	0.91	1.0	
3dB Bandwidth	MHz	1.1	1.2	
40dB Bandwidth	MHz		1.95	2.0
Passband Ripple	dB		0.4	0.8
Group Delay Variation	nsec		100	150
Absolute Delay	µsec		2.6	
Ultimate Rejection	dB	40	50	
Substrate Material			Quartz	
Ambient Temperature	°C		25	

Package Outline

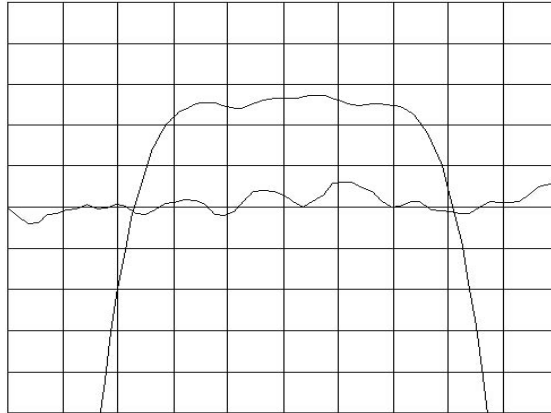


L1 = 220 nH , L2 = 180 nH
 R1 = 1.0 kΩ, R2 = 1.0 kΩ
 Source/Load Impedance = 50 Ω

70 MHz/1.2 MHz B/W SAW Filter

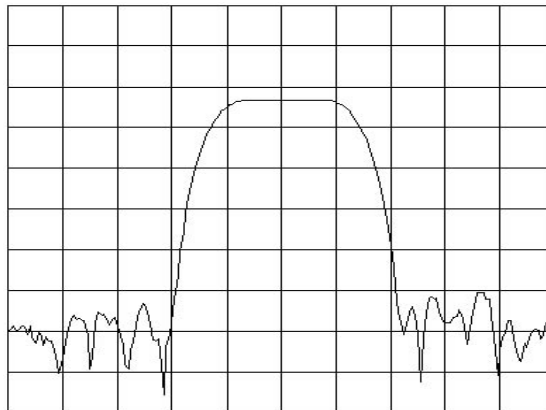
162882

Typical Performance – Narrowband



Horizontal : 0.2 MHz/Div
Vertical : 1 dB/Div
Vertical : 100 ns/Div

Typical Performance – Wideband



Horizontal : 0.5 MHz/Div
Vertical : 10 dB/Div

SAW PRODUCTS