

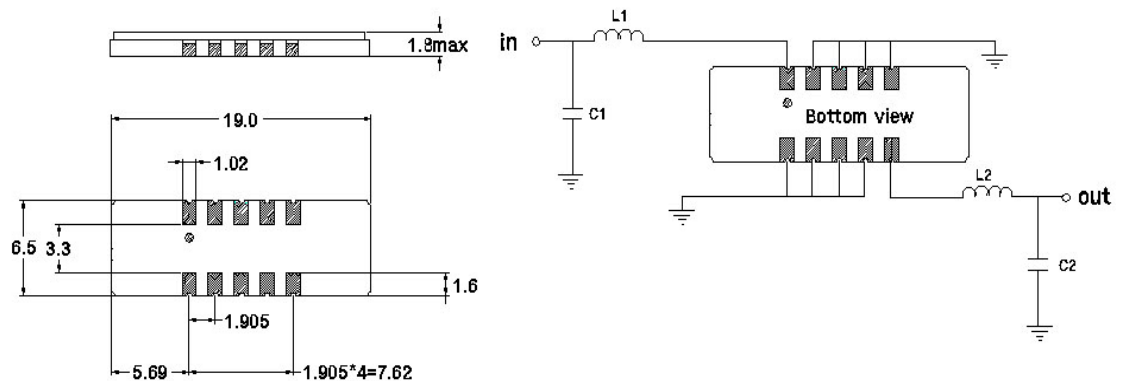
70 MHz/1.10 MHz B/W SAW Filter

162884

Specifications

Parameter	Unit	Min	Typical	Max
Center Frequency	MHz	69.97	70.00	70.03
Insertion Loss	dB	-	18.2	20.0
1 dB Bandwidth	MHz	0.95	1.10	-
3 dB Bandwidth	MHz	1.1	1.3	-
35 dB Bandwidth	MHz	-	2.05	2.20
Passband Ripple	dB	-	0.5	0.8
Phase Linearity ($F_o \pm 0.5$ MHz)	°C	-	3.9	6.0
Group Delay Variation	nsec	-	194	220
Absolute Delay	µsec	-	2.04	-
Ultimate Rejection	dB	40	45	-
Substrate Material	-	-	Quartz	-
Ambient Temperature	°C	-	25	-

Package Outline



L1 = 540 nH, L2 = 440 nH

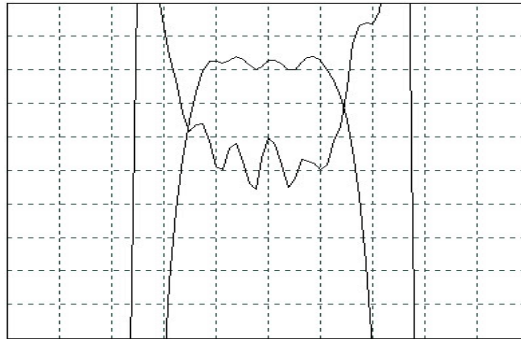
C1 = 62 pF, C2 = 39 pF

Source/Load Impedance = 50 Ω

70 MHz/1.10 MHz B/W SAW Filter

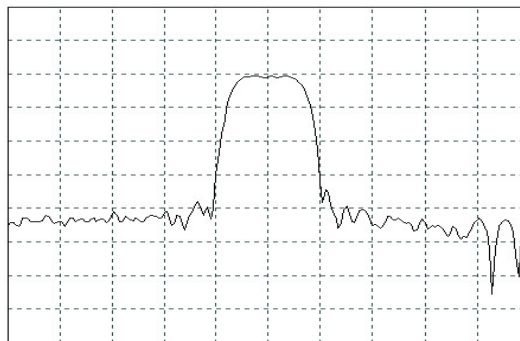
162884

Typical Performance – Narrowband



Horizontal: 0.4 MHz/Div
Vertical: 1 dB/Div
Vertical: 100 ns/Div

Typical Performance – Wideband



Horizontal: 1.0 MHz/Div
Vertical: 10 dB/Div

SAW PRODUCTS