

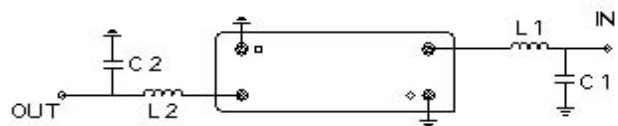
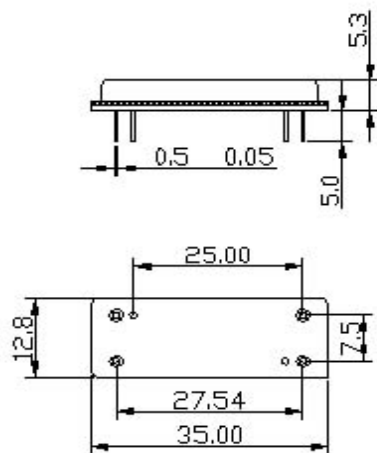
70 MHz/1.26 MHz B/W SAW Filter

162885

Specifications

Parameter	Unit	Min	Typical	Max
Center Frequency	MHz	69.97	70	70.03
Insertion Loss	dB		20.0	22.0
1dB Bandwidth	MHz	1.26	1.29	
40dB Bandwidth	MHz	1.8	1.78	
Attenuation at $F_o \pm 0.9\text{MHz}$	dB	40	43	
Attenuation at $F_o \pm 1.25\text{MHz}$	dB	40	45	
Attenuation at $F_o \pm 1.7\text{MHz}$	dB	40	45	
Passband Ripple at $F_o \pm 0.55\text{MHz}$	dB		0.7	1.0
Phase Linearity	$^{\circ}\text{rms}$		4.2	5.0
Absolute Delay	μsec		3.45	
Ultimate Rejection	dB	40	50	
Substrate Material			Qz	
Ambient Temperature	$^{\circ}\text{C}$		25	

Package Outline



L1 = 220 nH , L2 = 220 nH

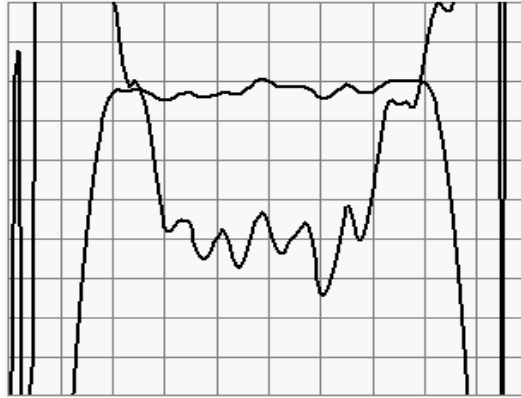
C1 = 51 pF, C2 = 56 pF

Source/Load Impedance = 50 Ω

70 MHz/1.26 MHz B/W SAW Filter

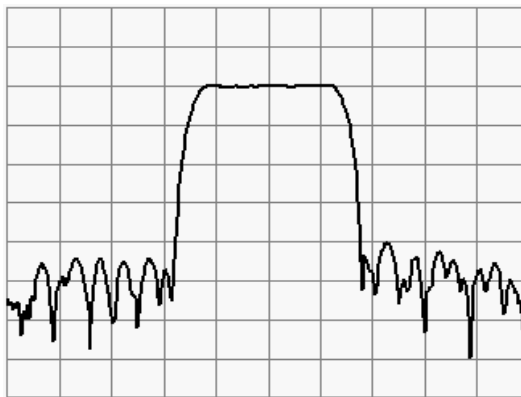
162885

Typical Performance – Narrowband



Horizontal : 0.2 MHz/Div
Vertical : 1 dB/Div
Vertical : 100 ns/Div

Typical Performance – Wideband



Horizontal : 0.5 MHz/Div
Vertical : 10 dB/Div

SAW PRODUCTS