

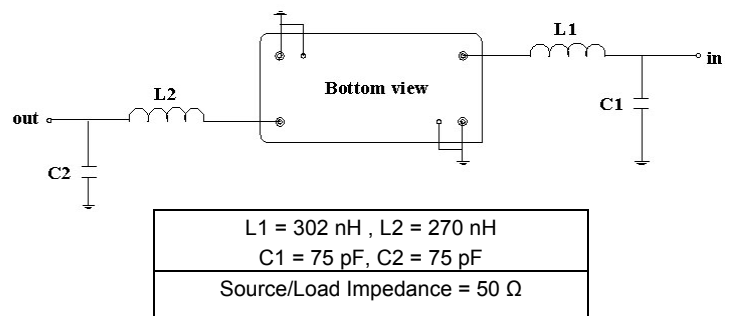
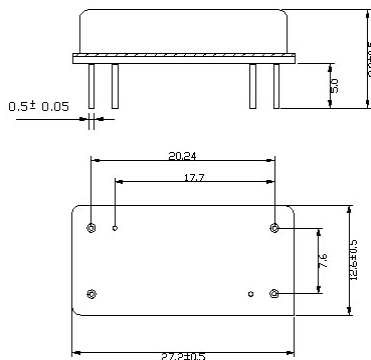
70 MHz/1.5 MHz B/W SAW Filter

162888

Specifications

Parameter	Unit	Min	Typical	Max
Center Frequency	MHz	69.97	70	70.03
Insertion Loss	dB		21.6	23.5
1dB Bandwidth	MHz	1.3	1.51	
3dB Bandwidth	MHz	1.5	1.71	
40dB Bandwidth	MHz		2.45	2.7
Passband Ripple	dB		0.37	0.6
Group Delay Variation	nsec		161	200
Phase Linearity	deg		2.7	7
Absolute Delay	µsec		3	
Ultimate Rejection	dB	50	55	
Substrate Material			Qz	
Ambient Temperature	°C		25	

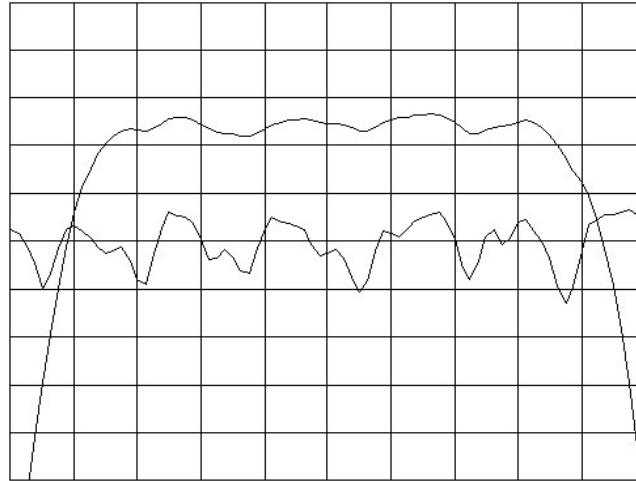
Package Outline



70 MHz/1.5 MHz B/W SAW Filter

162888

Typical Performance – Narrowband

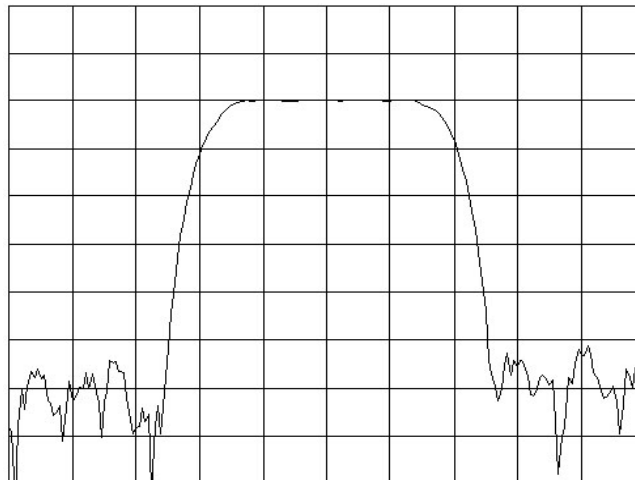


Horizontal : 0.2 MHz/Div

Vertical : 1 dB/Div

Vertical : 100 ns/Div

Typical Performance – Wideband



Horizontal : 0.5 MHz/Div

Vertical : 10 dB/Div

SAW PRODUCTS