

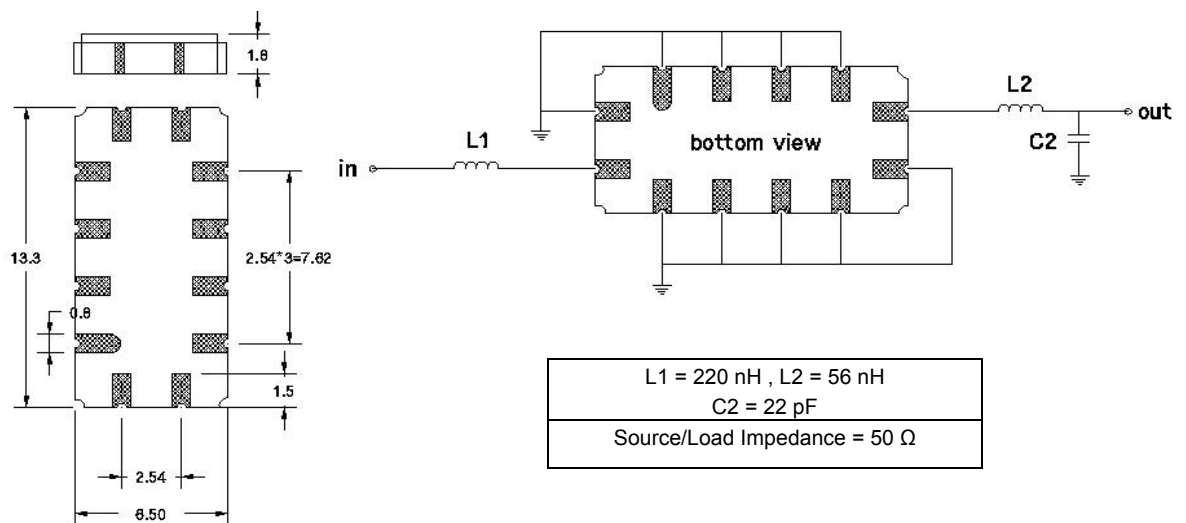
70 MHz/3 MHz B/W SAW Filter

162889

Specifications

Parameter	Unit	Typical
Center Frequency	MHz	70.00
Insertion Loss	dB	7.7
1dB Bandwidth	MHz	2.85
3dB Bandwidth	MHz	3.55
40dB Bandwidth	MHz	6.18
Passband Ripple	dB	0.65
Group Delay Variation	nsec	145
Absolute Delay	µsec	1.07
Ultimate Rejection	dB	45
Substrate Material		YZ-LN
Ambient Temperature	°C	25
Temperature Coefficient	ppm/°C	-94

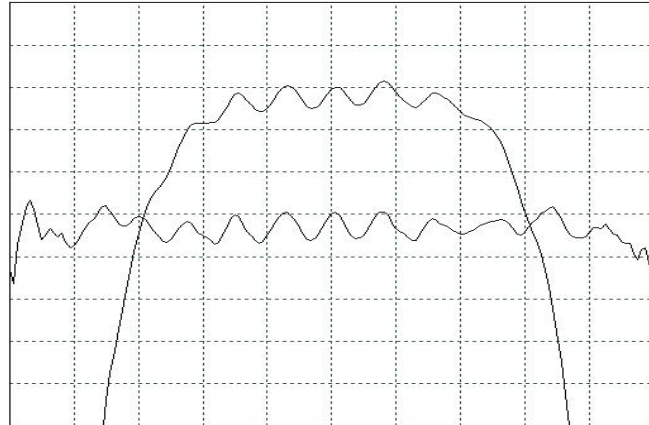
Package Outline



70 MHz/3 MHz B/W SAW Filter

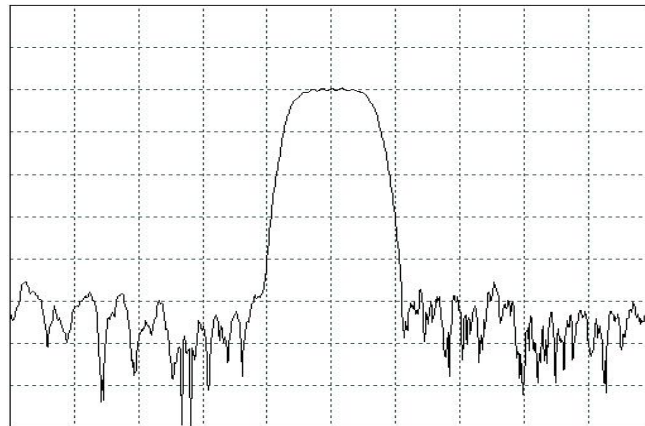
162889

Typical Performance – Narrowband



Horizontal : 0.6 MHz/Div
Vertical : 1 dB/Div
Vertical : 100 ns/Div

Typical Performance – Wideband



Horizontal : 3.0 MHz/Div
Vertical : 10 dB/Div

SAW PRODUCTS

COM DEV