

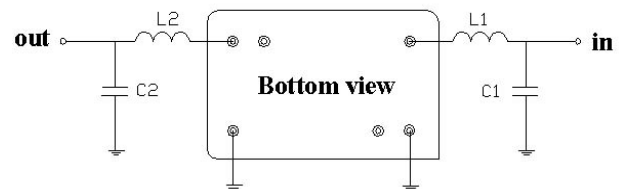
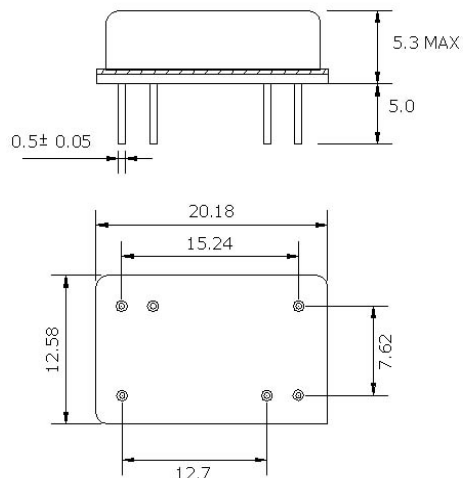
70 MHz/4.0 MHz B/W SAW Filter

162891

Specifications

Parameter	Unit	Min	Typical	Max
Center Frequency	MHz	69.92	70.00	70.08
Insertion Loss	dB		22.5	25.0
1dB Bandwidth	MHz	3.8	4.0	
3dB Bandwidth	MHz	4.1	4.3	
40dB Bandwidth	MHz		5.6	5.9
Passband Ripple	dB		0.5	0.8
Group Delay Variation	nsec		80	100
Absolute Delay	μsec		2.06	
Ultimate Rejection	dB	45	55	
Substrate Material			112 LT	
Ambient Temperature	°C		25	

Package Outline



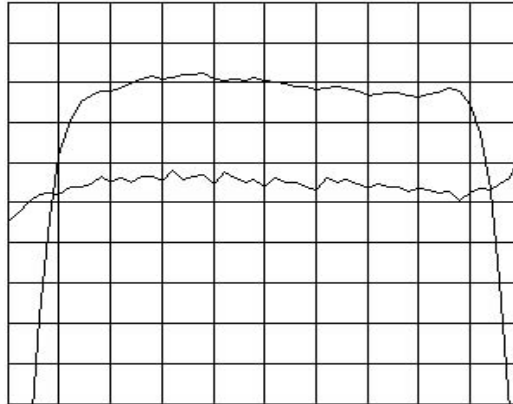
L1 = 86 nH, L2 = 82 nH
 C1 = 75 pF, C2 = 75 pF
 Source/Load Impedance = 50 Ω

SAW PRODUCTS

70 MHz/4.0 MHz B/W SAW Filter

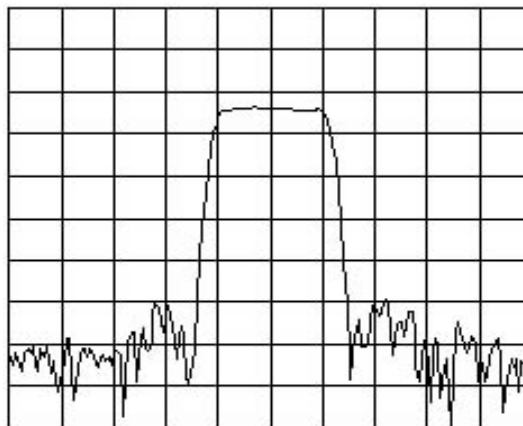
162891

Typical Performance – Narrowband



Horizontal : 0.5 MHz/Div
Vertical : 1 dB/Div
Vertical : 100 ns/Div

Typical Performance – Wideband



Horizontal : 2.0 MHz/Div
Vertical : 10 dB/Div

SAW PRODUCTS