

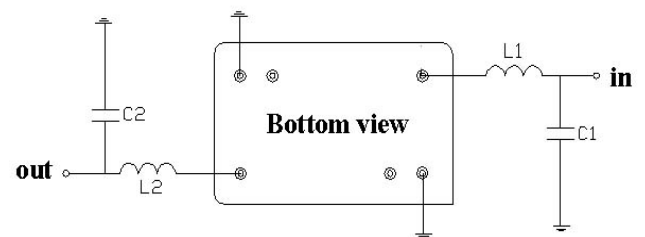
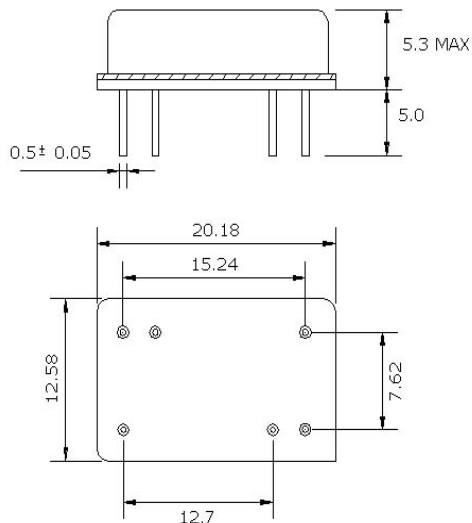
## 70 MHz/5.5 MHz B/W SAW Filter

162894

## Specifications

Parameter	Unit	Min	Typical	Max
Center Frequency	MHz	69.94	70.0	70.06
Insertion Loss	dB		20.5	23.0
1dB Bandwidth	MHz	5.3	5.5	
3dB Bandwidth	MHz	5.5	5.7	
40dB Bandwidth	MHz		6.6	6.9
Passband Ripple	dB		0.9	1.2
Group Delay Variation	nsec		150	200
Absolute Delay	$\mu$ sec		2.38	
Ultimate Rejection	dB	50	55	
Substrate Material			112 LT	
Ambient Temperature	$^{\circ}$ C		25	

## Package Outline



L1 = 82 nH , L2 = (120+18) nH  
C1 = 130 pF, C2 = 91 pF

Source/Load Impedance = 50  $\Omega$

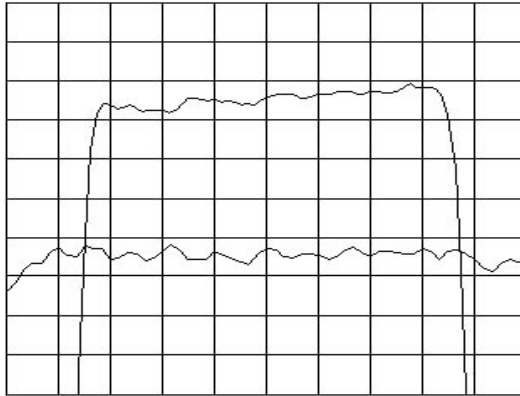
It needs PKG ground for more excellent spurious levels.

SAW PRODUCTS

# 70 MHz/5.5 MHz B/W SAW Filter

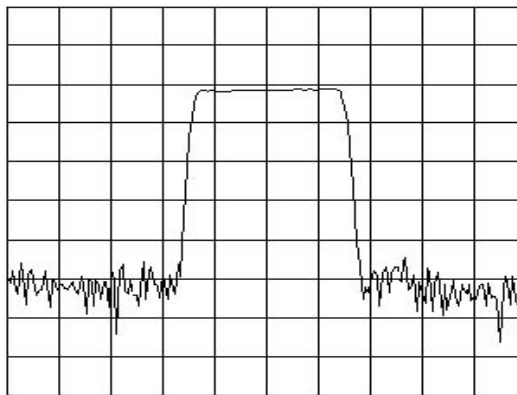
162894

## Typical Performance – Narrowband



Horizontal : 0.8 MHz/Div  
Vertical : 1 dB/Div  
Vertical : 100 ns/Div

## Typical Performance – Wideband



Horizontal : 2.0 MHz/Div  
Vertical : 10 dB/Div

SAW PRODUCTS