

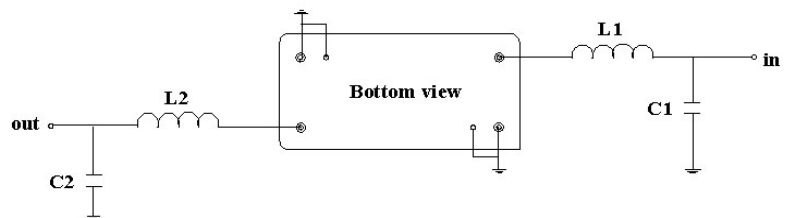
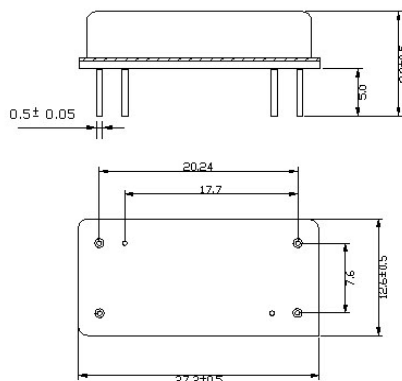
70 MHz/7.0 MHz B/W SAW Filter

162899

Specifications

Parameter	Unit	Minimum	Typical	Maximum
Center Frequency	MHz	69.94	70.00	70.06
Insertion Loss	dB	-	20.0	22.0
1dB Bandwidth	MHz	6.9	7.0	-
2.5dB Bandwidth	MHz	7.2	7.3	-
40dB Bandwidth	MHz	-	8.5	8.7
Passband Ripple	dB	-	0.85	1.0
Group Delay Variation	nsec	-	55	100
Absolute Delay	µsec	-	2.95	-
Ultimate Rejection	dB	50	55	-
Substrate Material		LN		
Ambient Temperature	°C	-	25	-

Package Outline



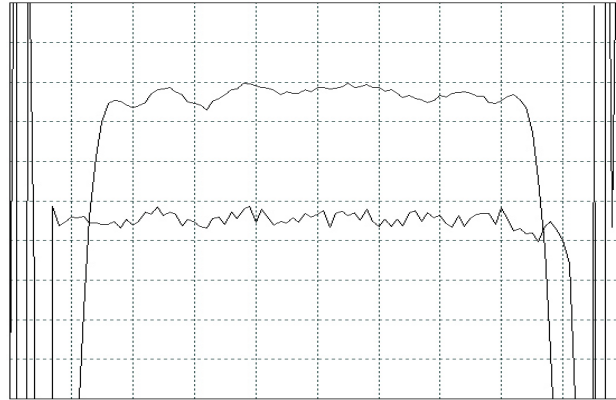
L1 = 120 nH , L2 = 100 nH
 C1 = 56 pF, C2 = 27 pF
 Source/Load Impedance = 50 Ω

SAW PRODUCTS

70 MHz/7.0 MHz B/W SAW Filter

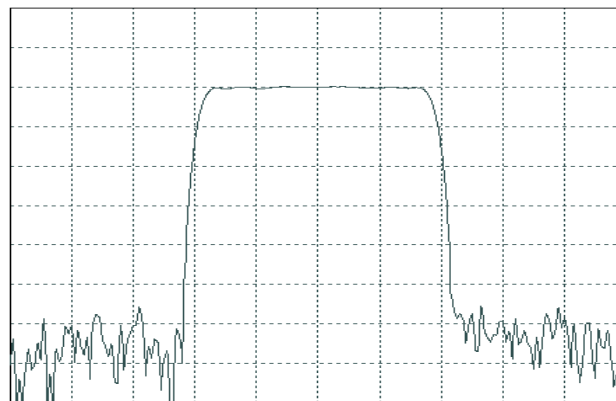
162899

Typical Performance – Narrowband



Horizontal : 1.0 MHz/Div
Vertical : 1 dB/Div
Vertical : 100 ns/Div

Typical Performance – Wideband



Horizontal : 2.0 MHz/Div
Vertical : 10 dB/Div

SAW PRODUCTS

COM DEV