

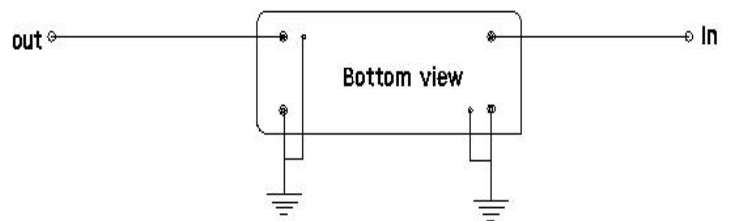
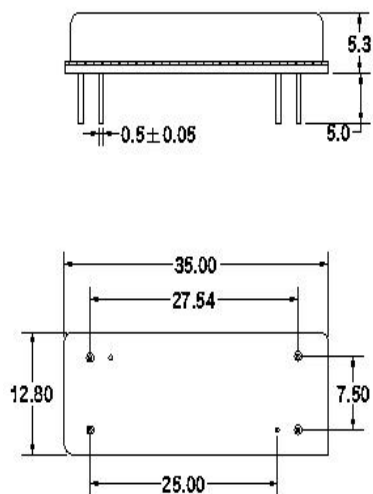
70 MHz/9.45 MHz B/W SAW Filter

162905

Specifications

Parameter	Unit	Minimum	Typical	Maximum
Center Frequency	MHz	69.95	70.00	70.05
Insertion Loss	dB	-	28.5	30.0
1dB Bandwidth	MHz	9.25	9.32	-
3dB Bandwidth	MHz	9.45	9.52	-
40dB Bandwidth	MHz	-	10.28	10.35
50dB Bandwidth	MHz	-	10.35	10.40
Ultimate Rejection	dB	50	55	-
Passband Ripple	dB	-	0.65	1.0
Absolute Delay	µsec	-	4.40	-
Group Delay Variation	nsec	-	70	150
Substrate Material	-	-	LN	-

Package Outline



No Matching Required

Source/Load Impedance = 50 Ω