

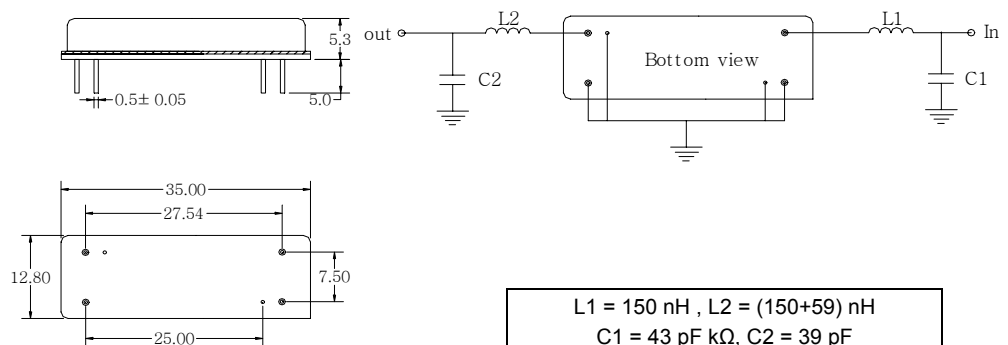
## 70 MHz/20.5 MHz B/W SAW Filter

162917

## Specifications

Parameter	Unit	Minimum	Typical	Maximum
Center Frequency	MHz	69.94	70.00	70.06
Insertion Loss	dB		22.0	23.0
1dB Bandwidth	MHz	20.20	20.25	
3dB Bandwidth	MHz	20.50	20.55	
40dB Bandwidth	MHz		21.69	21.80
50dB Bandwidth	MHz		21.80	22.00
Passband Ripple	dB		0.70	1.0
Ultimate Rejection	dB	50	55	
Absolute Delay	usec		2.65	
Group Delay variation	nsec		65	100
Substrate			LN	

## Package Outline



L1 = 150 nH , L2 = (150+59) nH

C1 = 43 pF kΩ, C2 = 39 pF

Source/Load Impedance = 50 Ω