

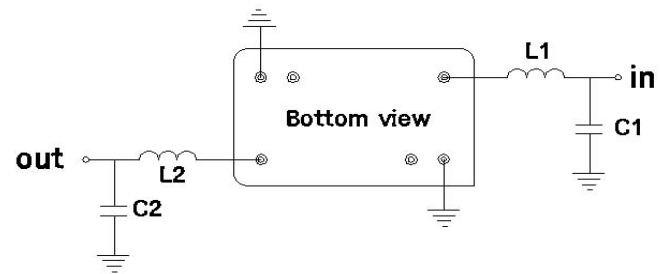
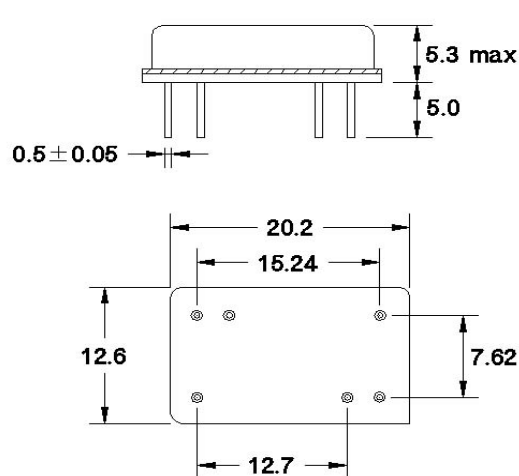
70 MHz/25 MHz B/W SAW Filter

162919

Specifications

Parameter	Unit	Min	Typical	Max
Center Frequency	MHz	69.90	70.00	70.10
Insertion Loss	dB		26.6	28.0
1dB Bandwidth	MHz	24.5	24.9	
3dB Bandwidth	MHz	25.0	25.6	
40dB Bandwidth	MHz		28.6	30.0
Passband Ripple	dB		0.74	1.0
Group Delay Variation	nsec		45	70
Absolute Delay	μ sec		1.64	
Ultimate Rejection	dB	50	55	
Substrate Material			LN	
Ambient Temperature	$^{\circ}$ C		25	

Package Outline



L1 = 270 nH , L2 = 220 nH
C1 = 27 pF, C2 = 39 pF
Source/Load Impedance = 50 Ω

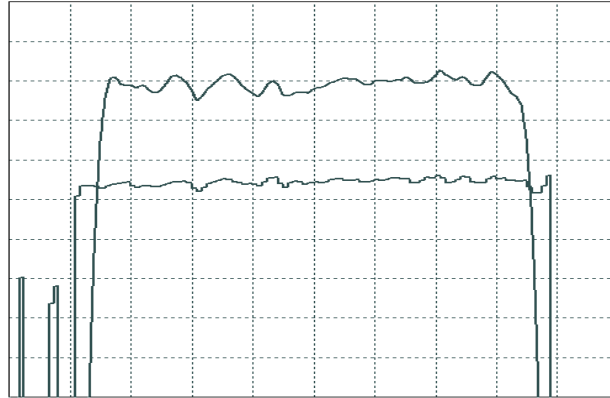
SAW PRODUCTS

COM DEV

70 MHz/25 MHz B/W SAW Filter

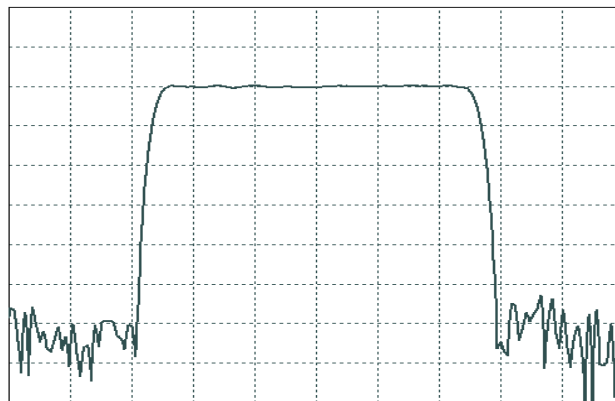
162919

Typical Performance – Narrowband



Horizontal : 3.6 MHz/Div
Vertical : 1 dB/Div
Vertical : 100 ns/Div

Typical Performance – Wideband



Horizontal : 5.0 MHz/Div
Vertical : 10 dB/Div

SAW PRODUCTS