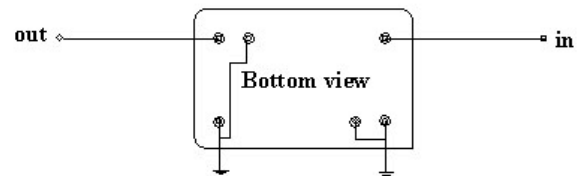
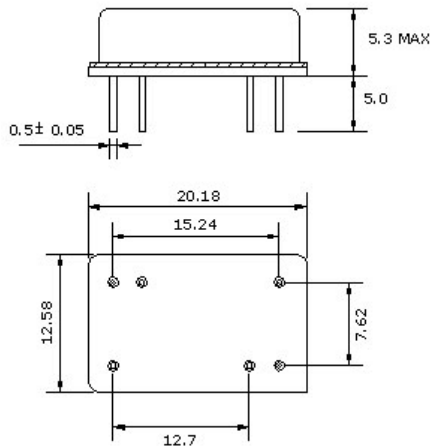


78.6 MHz/5.8 MHz B/W SAW Filter 162928

Specifications

Parameter	Unit	Minimum	Typical	Maximum
Center Frequency	MHz	78.55	78.60	78.65
Insertion Loss	dB		18.1	21.0
1dB Bandwidth	MHz	5.3	5.4	
3dB Bandwidth	MHz	5.8	6.0	
40dB Bandwidth	MHz		7.87	8.0
Passband Ripple	dB		0.7	1.0
Group Delay Variation	nsec		155	200
Absolute Delay	µsec		2.10	
Ultimate Rejection	dB	50	55	
Substrate Material			YZ-LN	
Ambient Temperature	°C		25	

Package Outline

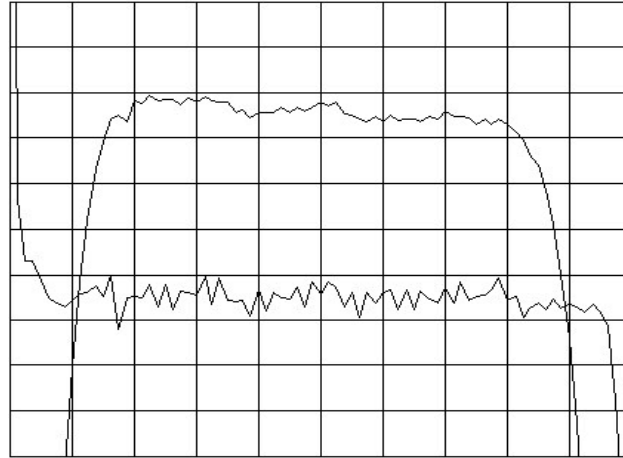


Source/Load Impedance = 50 Ω

SAW PRODUCTS

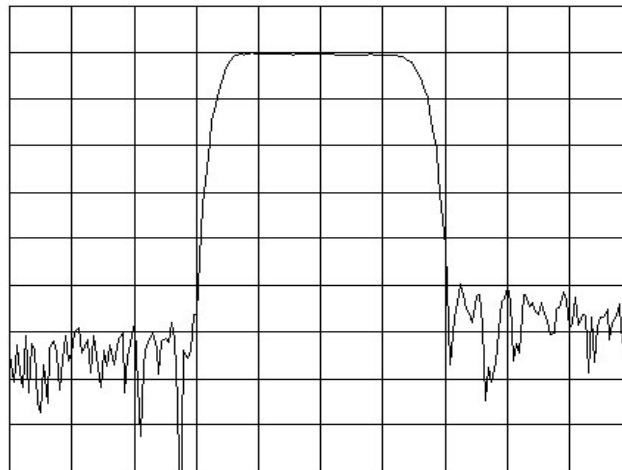
78.6 MHz/5.8 MHz B/W SAW Filter 162928

Typical Performance – Narrowband



Horizontal : 0.8 MHz/Div
Vertical : 1 dB/Div
Vertical : 100 ns/Div

Typical Performance – Wideband



Horizontal : 2.0 MHz/Div
Vertical : 10 dB/Div

SAW PRODUCTS