

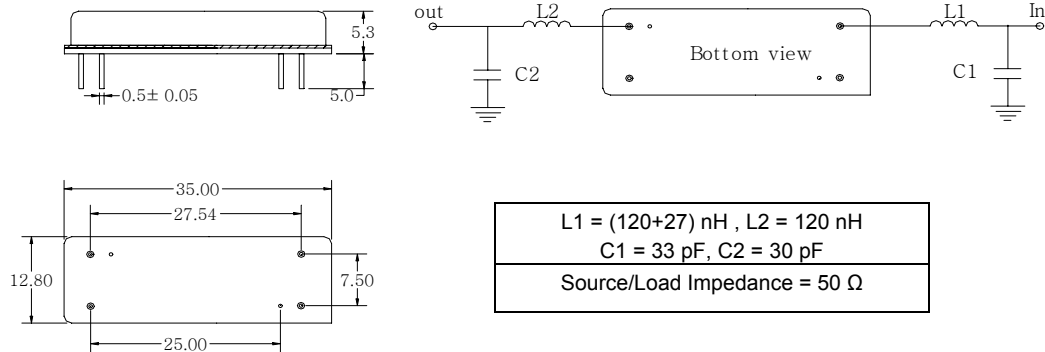
80.0 MHz/25 MHz B/W SAW Filter

162929

Specifications

Parameter	Unit	Min	Typical	Max
Center Frequency	MHz	79.90	80.00	80.10
Insertion Loss	dB		25.0	
1dB Bandwidth	MHz	25.0	25.1	
3dB Bandwidth	MHz	25.35	25.42	
50dB Bandwidth	MHz		26.72	26.90
Passband Ripple	dB		0.7	1.0
Group Delay Variation	nsec		40	100
Absolute Delay	µsec		2.44	
Ultimate Rejection	dB	50	55	
Substrate Material			LN	
Ambient Temperature	°C		25	

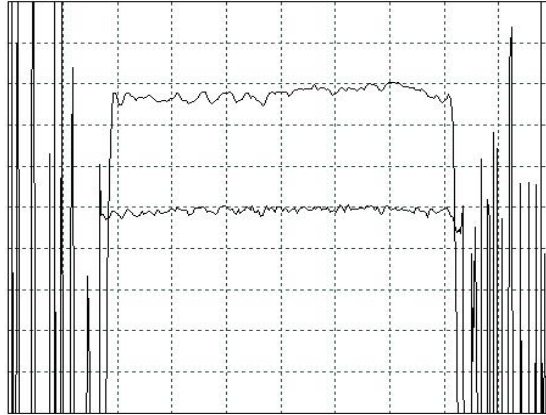
Package Outline



80.0 MHz/25 MHz B/W SAW Filter

162929

Typical Performance – Narrowband

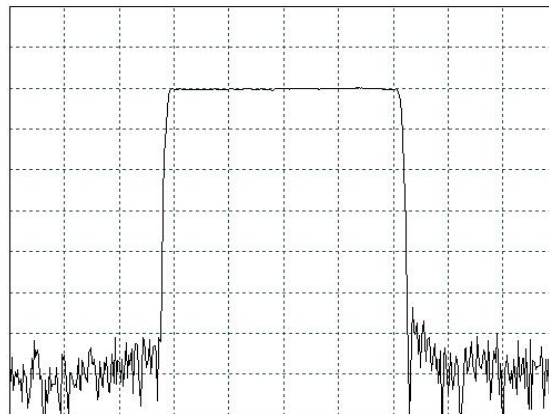


Horizontal : 4.0 MHz/Div

Vertical : 1 dB/Div

Vertical : 100 ns/Div

Typical Performance – Wideband



Horizontal : 6.0 MHz/Div

Vertical : 10 dB/Div

SAW PRODUCTS