

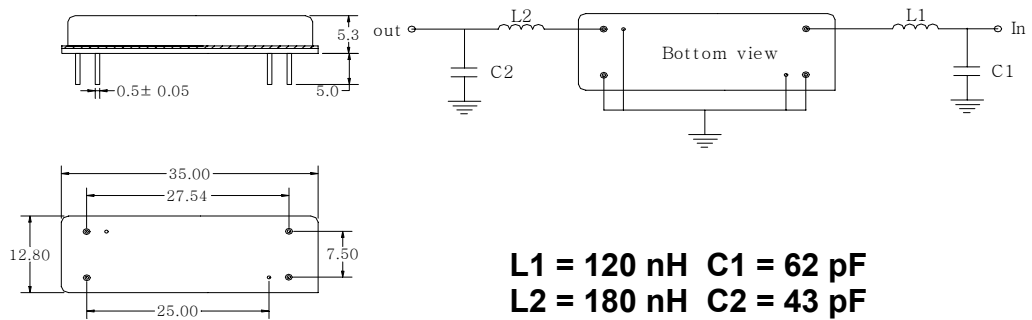
80.7 MHz RF SAW Filter

162930

Specifications

Parameter	Unit	Min	Typical	Max
Center Frequency (f_0)	MHz		80.7	
Insertion Loss	DB		25.2	28.0
3 dB Bandwidth	MHz		11.2	
40 dB Bandwidth	MHz		12.8	
Passband Ripple	dB		0.8	1.2
Group Delay Variation	nsec		80	150
Ultimate Rejection	dB		50	55
Substrate Material			LT	
Ambient Temperature	°C		25	

Package Outline



L1 = 120 nH C1 = 62 pF
L2 = 180 nH C2 = 43 pF
Source/Load Impedance = 50 Ω

SAW PRODUCTS

COM DEV