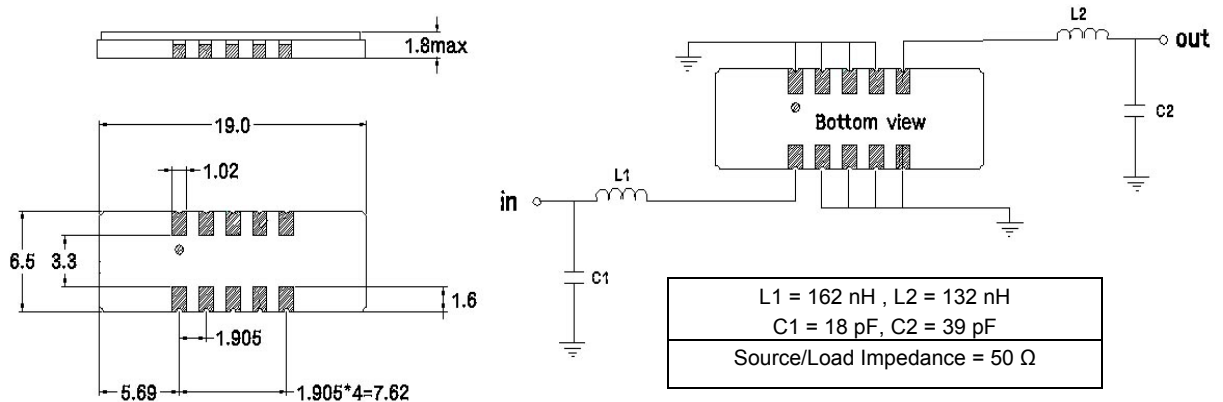


100 MHz/0.47 MHz B/W SAW Filter 162932

Specifications

Parameter	Unit	Min	Typical	Max
Center Frequency	MHz	99.97	100.00	100.03
Insertion Loss	dB		13.7	15.0
1dB Bandwidth	MHz	0.30	0.34	
3dB Bandwidth	MHz	0.47	0.55	
40dB Bandwidth	MHz		1.38	1.40
Passband Ripple	dB		0.8	1.5
Phase Linearity	deg		3.0	6.0
Group Delay Variation	nsec		250	500
Absolute Delay	µsec		2.4	
Ultimate Rejection	dB	45	55	
Substrate Material			Quartz	
Ambient Temperature	°C		25	

Package Outline

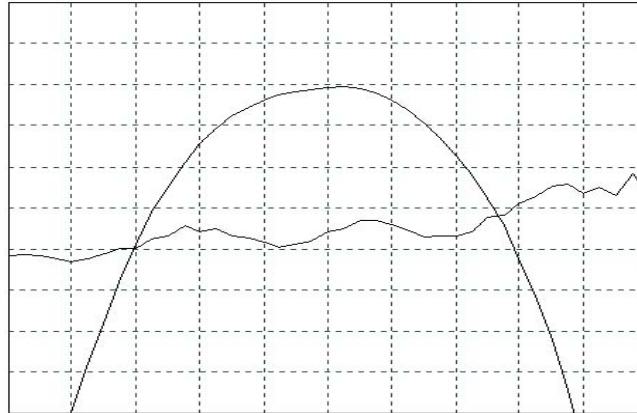


SAW PRODUCTS

COM DEV

100 MHz/0.47 MHz B/W SAW Filter 162932

Typical Performance – Narrowband

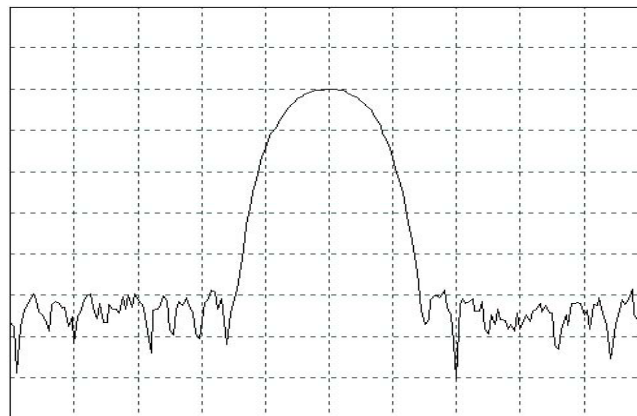


Horizontal : 0.1 MHz/Div

Vertical : 1 dB/Div

Vertical : 100 ns/Div

Typical Performance – Wideband



Horizontal : 0.5 MHz/Div

Vertical : 10 dB/Div

SAW PRODUCTS