

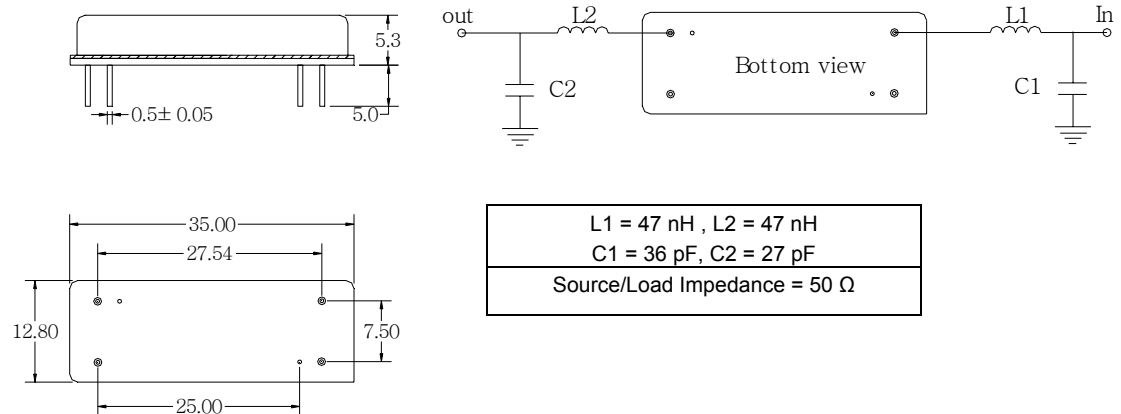
100 MHz/19.2 B/W SAW Filter

162933

Specifications

Parameter	Unit	Min	Typical	Max
Center Frequency	MHz	-	100.00	-
Insertion Loss	dB	-	25.0	30.0
1dB Bandwidth	MHz	18.90	19.00	-
3dB Bandwidth	MHz	19.20	19.27	-
40dB Bandwidth	MHz	-	20.38	20.50
Passband Ripple	dB	-	0.70	1.0
Ultimate Rejection	dB	50	55	-
Absolute Delay	µsec	-	2.67	-
Group Delay Variation	nsec	-	50	100
Substrate	128°LN			

Package Outline



SAW PRODUCTS

COM DEV