

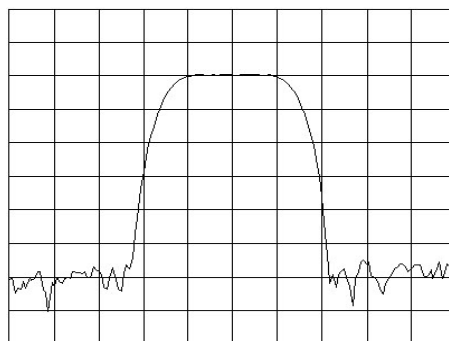
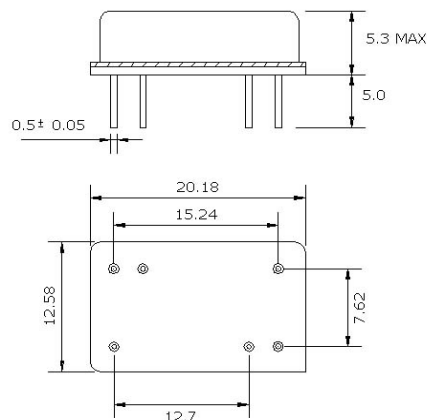
115 MHz / 2 MHz B/W SAW Filter

162935

Specifications

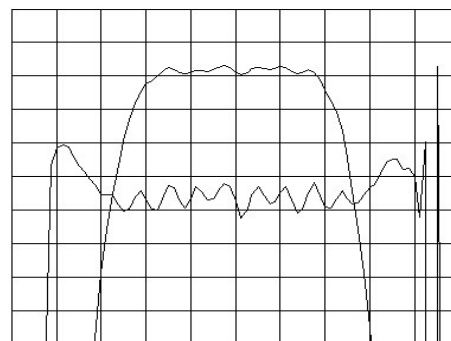
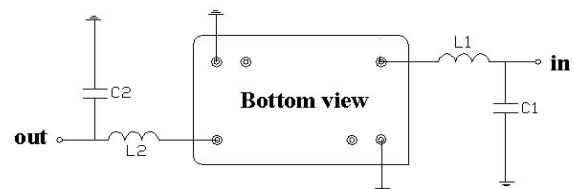
Parameter	Unit	Min.	Typical	Max.
Center Frequency	MHz	114.95	114.99	115.03
Insertion Loss	dB		20.0	23.0
0.5dB Bandwidth	MHz	1.4	1.6	
3dB Bandwidth	MHz	1.8	2.05	
50dB Bandwidth	MHz		3.44	3.8
Passband Ripple	dB		0.3	0.5
Group Delay Variation	ns		100	200
Phase Linearity	deg		2.5	7.0
Absolute Delay	μ s		1.9	
Ultimate Rejection	dB	50	55	
Substrate Material			QZ	
Ambient Temperature	$^{\circ}$ C		25	

Package Outline



Horiz:0.8MHz/Div
Vertical : 10 dB/Div

L1 = 100 nH , L2 = 86 nH
C1 = 56 pF, C2 = 56 pF
Source/Load Impedance = 50 Ω



Horiz:0.4MHz/Div
Vert:1dB/Div & Vert : 100 ns/Div

SAW PRODUCTS