

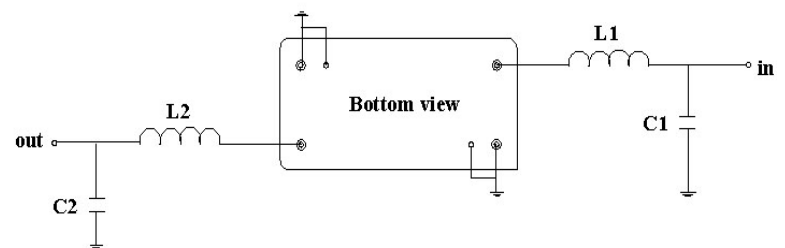
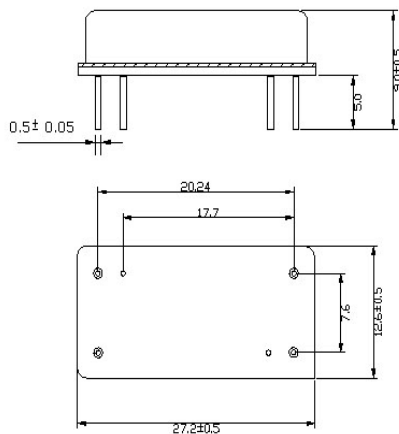
# 120 MHz/0.9 MHz B/W SAW Filter

# 162938

## Specifications

Parameter	Unit	Min	Typical	Max
Center Frequency	MHz	119.96	120	120.04
Insertion Loss	dB		18.7	20
1.5dB Bandwidth	MHz	0.9	0.99	
35dB Bandwidth	MHz		1.6	1.73
50dB Bandwidth	MHz		1.74	1.8
Passband Ripple	dB		0.46	0.8
Group Delay Variation	nsec		310	400
Phase Linearity	deg		4.85	8
Absolute Delay	μsec		3.45	
Ultimate Rejection	dB	50	55	
Substrate Material			Qz	
Ambient Temperature	°C		25	

## Package Outline



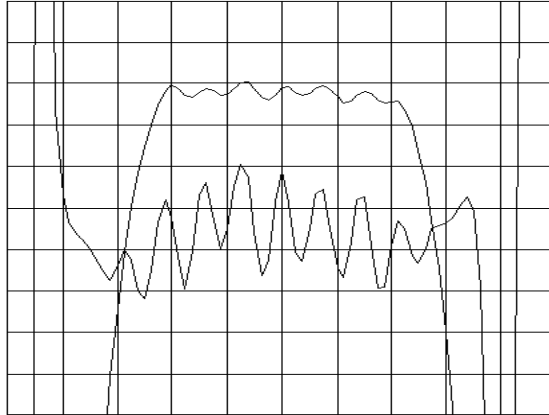
L1 = 56 nH C1 = 62 pF  
 L2 = 47nH C2 = 68 pF  
 Source/Load Impedance = 50 Ω

SAW PRODUCTS

# 120 MHz/0.9 MHz B/W SAW Filter

162938

## Typical Performance – Narrowband

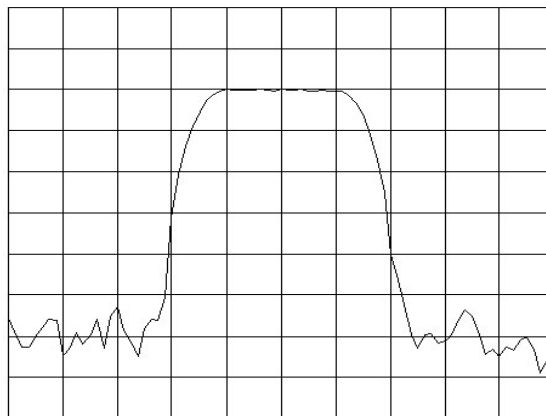


Horizontal : 2.0 MHz/Div

Vertical : 1 dB/Div

Vertical : 100 ns/Div

## Typical Performance – Wideband



Horizontal : 2.0 MHz/Div

Vertical : 10 dB/Div

SAW PRODUCTS

COM DEV