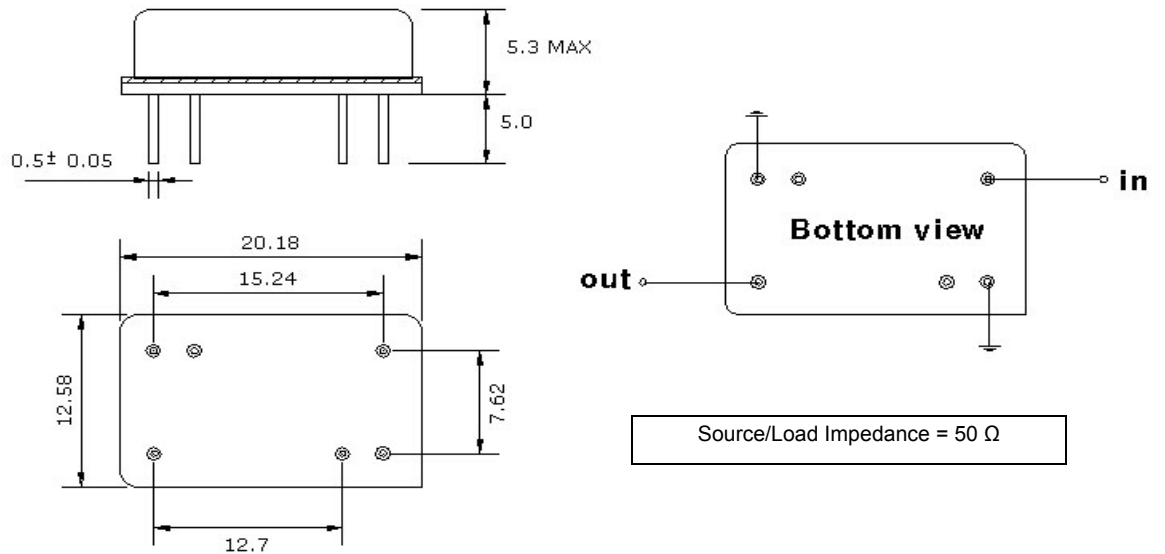


140 MHz/12.0 MHz B/W SAW Filter 162945

Specifications

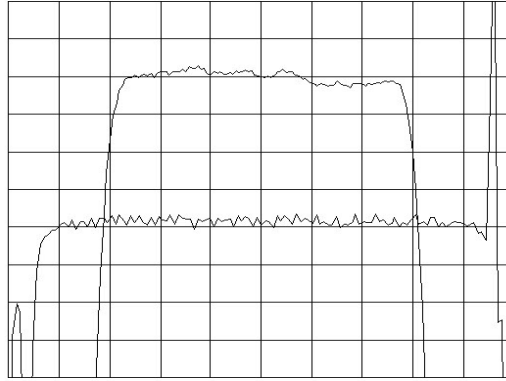
Parameter	Unit	Min	Typical	Max
Center Frequency	MHz	139.9	140.0	140.1
Insertion Loss	dB		22.3	25.0
1dB Bandwidth	MHz	11.2	11.6	
3dB Bandwidth	MHz	12.0	12.24	
40dB Bandwidth	MHz		14.56	15.0
Passband Ripple	dB		0.57	0.75
Group Delay Variation	nsec		45	90
Absolute Delay	μsec		1.62	
Ultimate Rejection	dB	50	55	
Substrate Material			YzLN	
Ambient Temperature	°C		25	

Package Outline



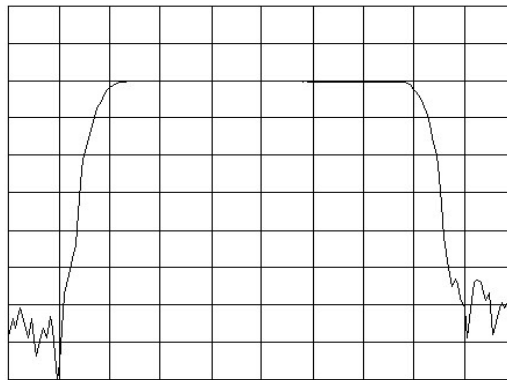
140 MHz/12.0 MHz B/W SAW Filter 162945

Typical Performance – Narrowband



Horizontal : 2.0 MHz/Div
Vertical : 1 dB/Div
Vertical : 100 ns/Div

Typical Performance – Wideband



Horizontal : 2.0 MHz/Div
Vertical : 10 dB/Div

SAW PRODUCTS