

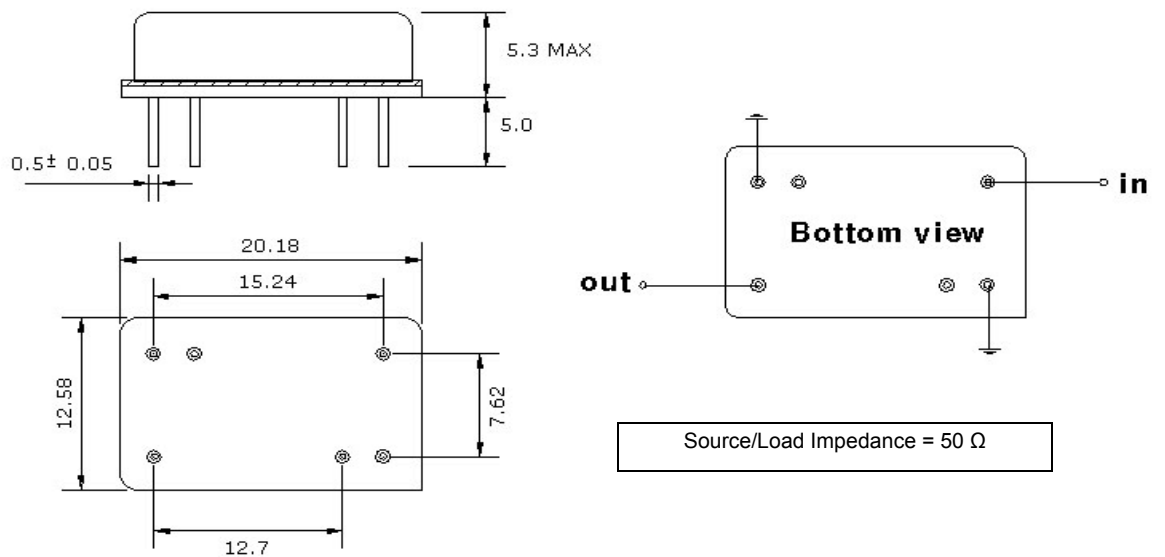
140 MHz/12 MHz B/W SAW Filter

162946

Specifications

Parameter	Unit	Min	Typical	Max
Center Frequency	MHz	139.9	140.0	140.1
Insertion Loss	dB		22.3	25.0
1dB Bandwidth	MHz	11.2	11.6	
3dB Bandwidth	MHz	12.0	12.24	
40dB Bandwidth	MHz		14.56	15.0
Passband Ripple	dB		0.57	0.75
Group Delay Variation	nsec		45	90
Absolute Delay	µsec		1.62	
Ultimate Rejection	dB	50	55	
Substrate Material			YzLN	
Ambient Temperature	°C		25	

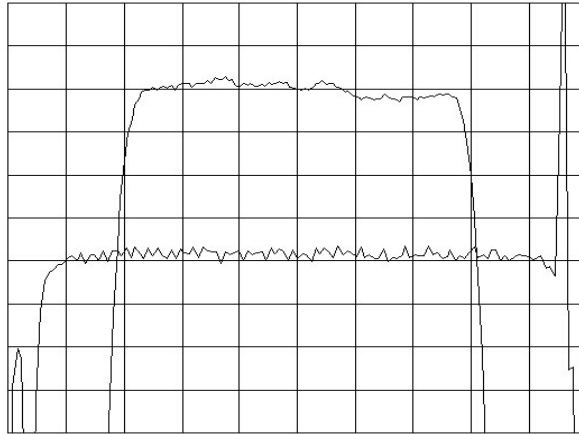
Package Outline



140 MHz/12 MHz B/W SAW Filter

162946

Typical Performance – Narrowband

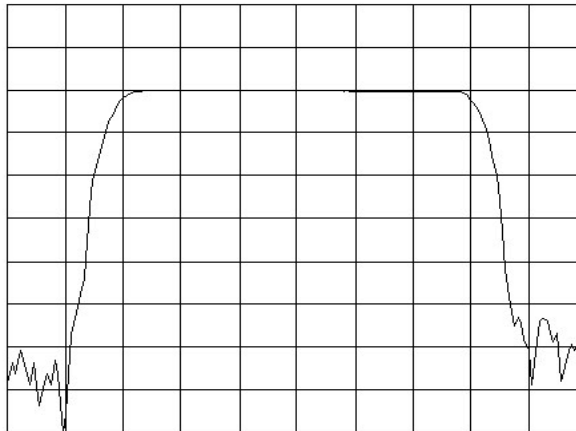


Horizontal : 2.0 MHz/Div

Vertical : 1 dB/Div

Vertical : 100 ns/Div

Typical Performance – Wideband



Horizontal : 2.0 MHz/Div

Vertical : 10 dB/Div

SAW PRODUCTS