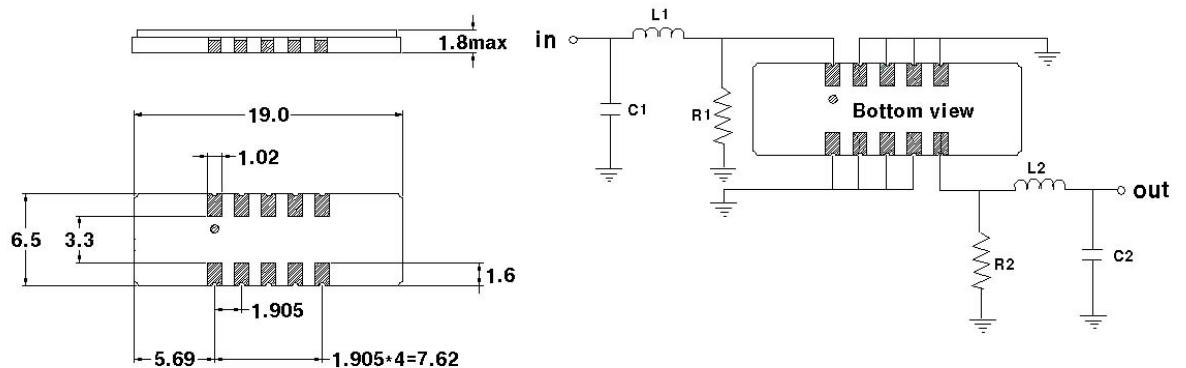


150 MHz/1.50 MHz B/W SAW Filter 162950

Specifications

| Parameter | Unit | Min | Typical | Max |
|-----------------------|------|--------|---------|--------|
| Center Frequency | MHz | 149.97 | 150.00 | 150.03 |
| Insertion Loss | dB | - | 22.0 | 25.0 |
| 1dB Bandwidth | MHz | 1.26 | 1.31 | - |
| 3dB Bandwidth | MHz | 1.50 | 1.54 | - |
| 30dB Bandwidth | MHz | - | 2.22 | 2.26 |
| Passband Ripple | dB | - | 0.35 | 0.7 |
| Phase Linearity | °C | - | 2.0 | 5 |
| Group Delay Variation | nsec | - | 150 | 200 |
| Absolute Delay | µsec | - | 2.45 | - |
| Ultimate Rejection | dB | 40 | 50 | - |
| Substrate Material | - | - | Quartz | - |
| Ambient Temperature | °C | - | 25 | - |

Package Outline



L1 = 100 nH , L2 = 66 nH

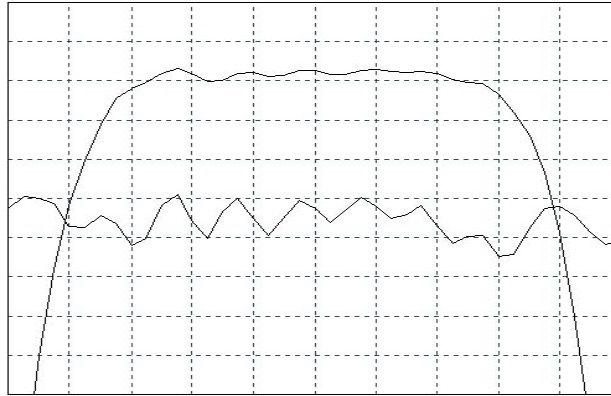
C1 = 39 pF, C2 = 51pF

R1 = 1k Ω, R2 = 1k Ω

Source/Load Impedance = 50 Ω

150 MHz/1.50 MHz B/W SAW Filter 162950

Typical Performance – Narrowband



Horizontal : 0.2 MHz/Div
Vertical : 1 dB/Div
Vertical : 100 ns/Div

Typical Performance – Wideband



Horizontal : 1.0 MHz/Div
Vertical : 10 dB/Div

SAW PRODUCTS