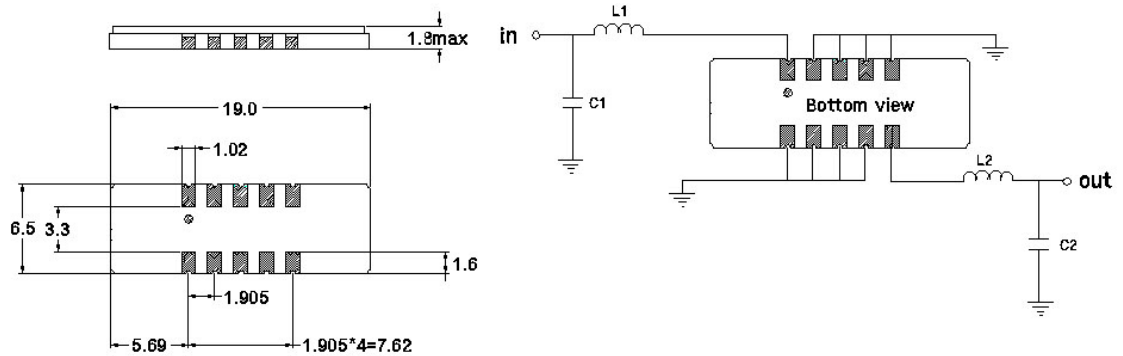


# 160 MHz/1.30 MHz B/W SAW Filter 162952

## Specifications

| Parameter             | Unit | Min    | Typical | Max    |
|-----------------------|------|--------|---------|--------|
| Center Frequency      | MHz  | 159.95 | 160.00  | 160.05 |
| Insertion Loss        | dB   | -      | 18.0    | 21.0   |
| 0.5dB Bandwidth       | MHz  | 1.18   | 1.35    | -      |
| 3dB Bandwidth         | MHz  | 1.30   | 1.60    | -      |
| 30dB Bandwidth        | MHz  | -      | 2.2     | 3.0    |
| Passband Ripple       | dB   | -      | 0.49    | 0.8    |
| Group Delay Variation | nsec | -      | 170     | 200    |
| Phase Linearity       | °C   | -      | 2.9     | 7.0    |
| Absolute Delay        | µsec | -      | 2.5     | -      |
| Ultimate Rejection    | dB   | 35     | 50      | -      |
| Substrate Material    | -    | -      | Quartz  | -      |
| Ambient Temperature   | °C   | -      | 25      | -      |

## Package Outline



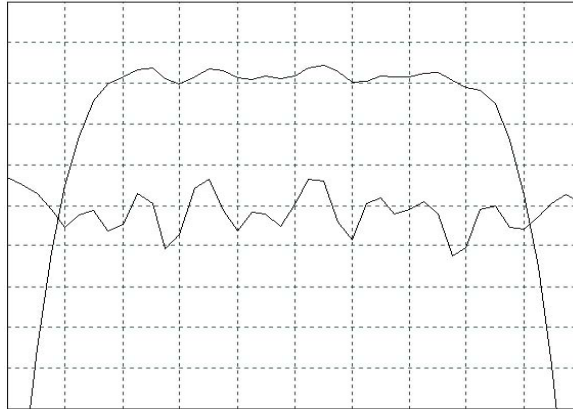
L1 = 80 nH , L2 = 56 nH

C1 = 36 pF, C2 = 39pF

Source/Load Impedance = 50 Ω

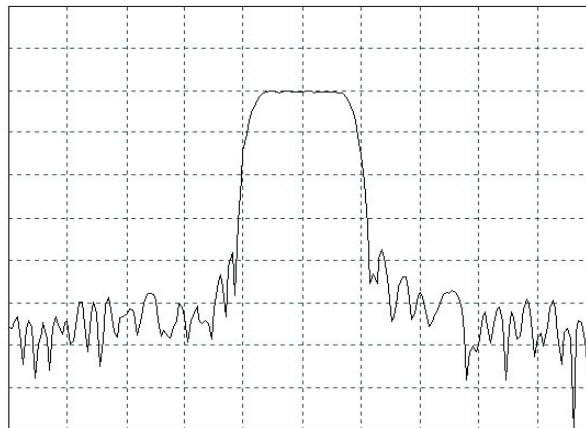
# 160 MHz/1.30 MHz B/W SAW Filter 162952

## Typical Performance – Narrowband



Horizontal : 0.2 MHz/Div  
Vertical : 1 dB/Div  
Vertical : 100 ns/Div

## Typical Performance – Wideband



Horizontal : 1.0 MHz/Div  
Vertical : 10 dB/Div

SAW PRODUCTS