

942.5 MHz SAW Filter

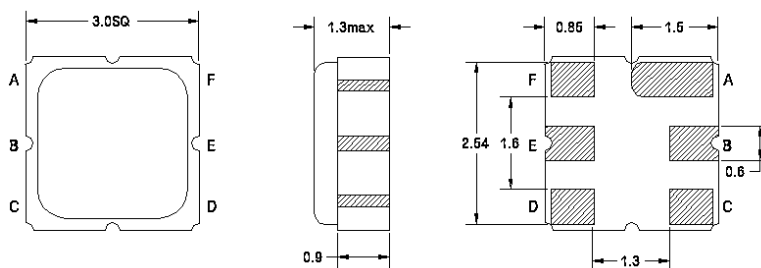
162965

Specifications

Parameter	Unit	Min	Typical	Max
Center Frequency	MHz	-	942.5	-
Insertion Loss within 925~960MHz	dB	-	2.5	3.0
Source Impedance (single ended)(1)	Ω	-	50	-
Load Impedance (single ended)(1)	Ω	-	50	-
Operating Temperature Range	$^{\circ}\text{C}$	-30	-	+85
Amplitude Ripple within 925~960MHz	dBp-p	-	1.25	1.5
VSWR within 925~960MHz	-	-	1.95	2.7
Attenuation:				
D.C. ~ 905 MHz	dB	17	23	-
905 ~ 915 MHz	dB	5	15	-
980 ~ 1000 MHz	dB	13	35	-
1000 ~ 2000 MHz	dB	20	25	-
Maximum DC Voltage	V	-	-	0
Maximum Input Power	dBm	-	-	15
Package type & size			M	
Length X Width	mm ²	-	3.0 X 3.0	-
Height	mm	-	-	1.3

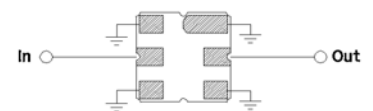
Notes: No Matching Network (Ref. Testing Environment Circuit as shown below).

Package Outline



PIN Descriptions	
IN	E
Out	B
Ground	A,C,D,F

Testing Environment



Source & Load Impedance 50 Ω

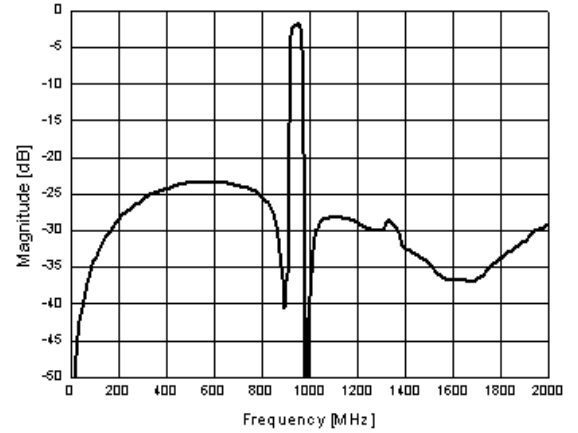
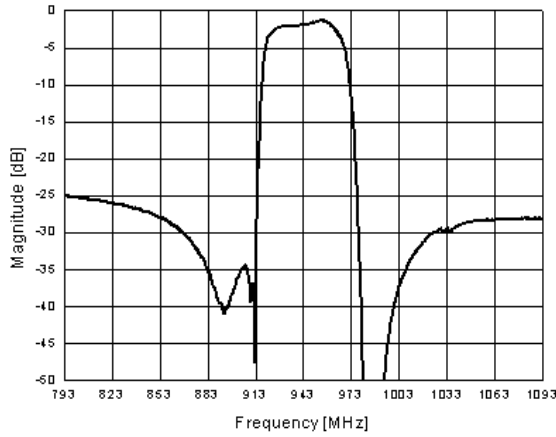
SAW PRODUCTS

COM DEV

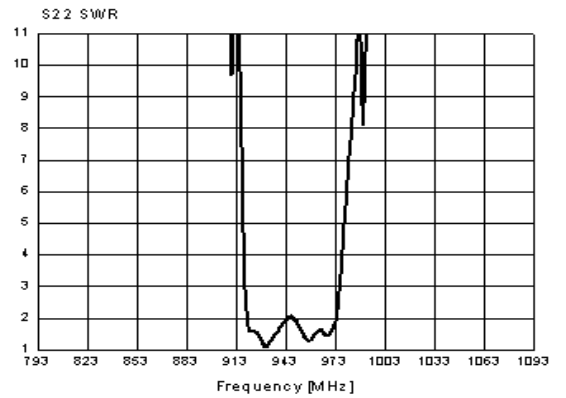
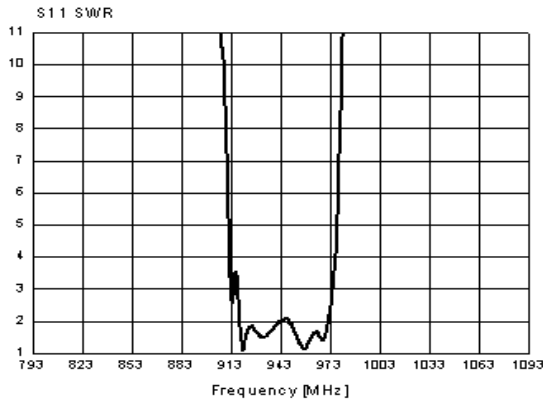
942.5 MHz SAW Filter

162965

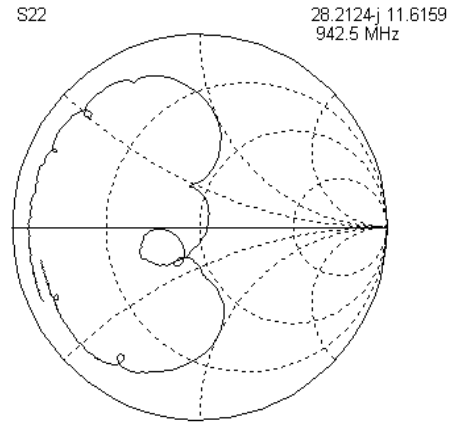
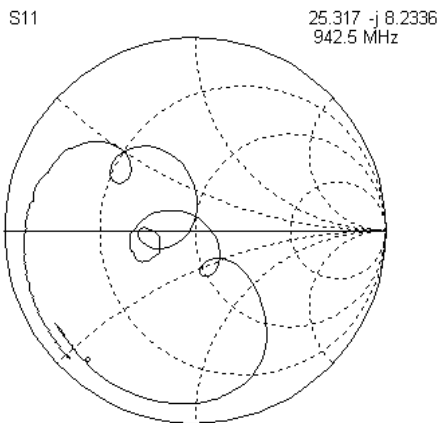
Frequency Response



VSWR



Smith Chart



SAW PRODUCTS

COM DEV