

1960 MHz SAW Filter

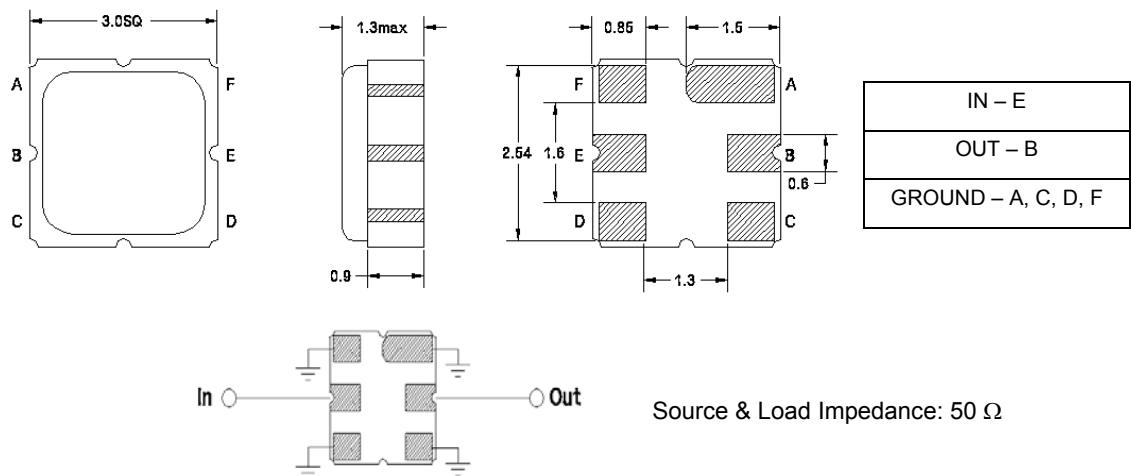
162973

Specifications

Parameter	Unit	Typical
Centre Frequency (f_0)	MHz	1960
Insertion Loss within 1930 ~ 1990 MHz	dB	2.4
Source Impedance (single ended) ⁽¹⁾	Ω	50
Load Impedance (single ended) ⁽¹⁾	Ω	50
Operating Temperature Range	$^{\circ}\text{C}$	-30 to +85
Amplitude Ripple within 1930 ~ 1990 MHz	dB _{p-p}	1.0
Attenuation:		
D.C. ~ 1850 MHz		32
1850 ~ 1910 MHz	dB	21
2030 ~ 2080 MHz		45
2110 ~ 2170 MHz		37
2170 ~ 2550 MHz		34
VSWR within 1930 ~ 1990 MHz	-	1.7
Maximum DC Voltage	V	7.5
Maximum Input Power	dBm	15
Package type & size		M
Length x Width	mm ²	3.0 x 3.0
Height	mm	1.3

Notes : (1) No Matching Network (Ref. Testing Environment Circuit as shown below).

Package Outline



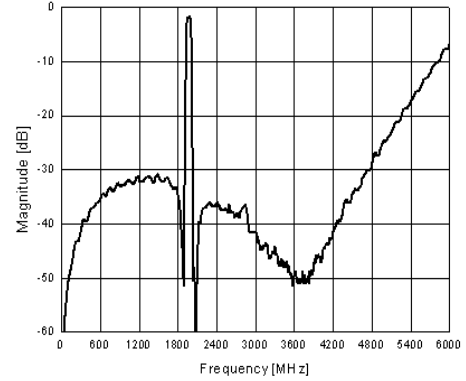
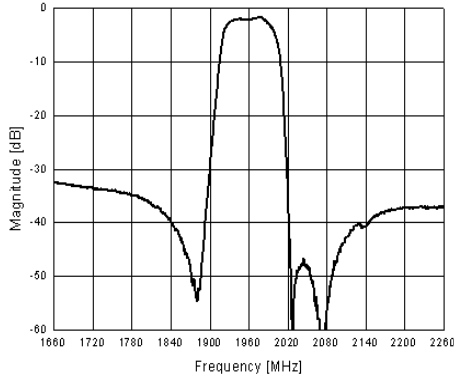
SAW PRODUCTS

COM DEV

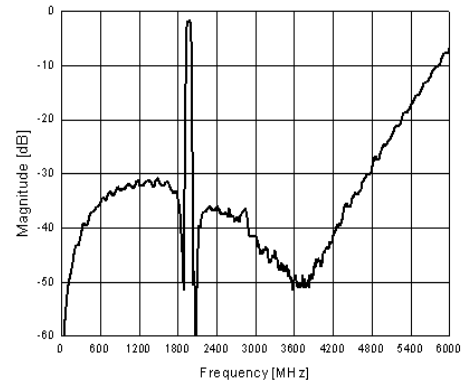
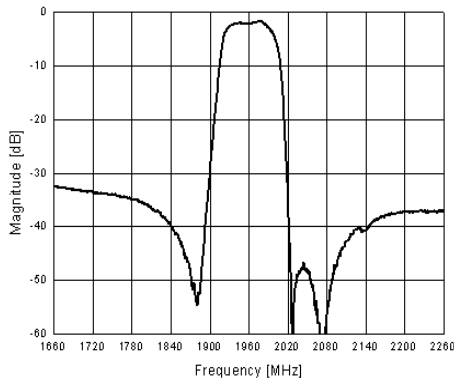
1960 MHz SAW Filter

162973

Frequency Response

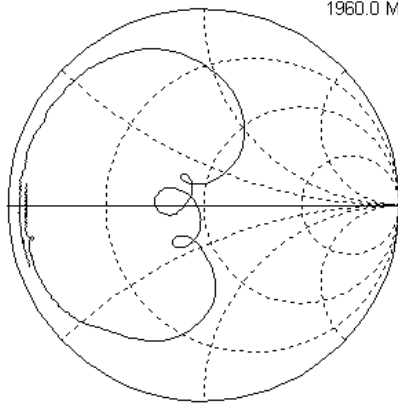


VSWR

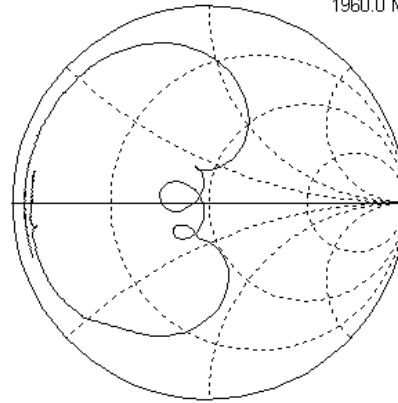


Smith Chart

S11 $29.9803 + j1.404$
1960.0 MHz



S22 $30.0387 + j2.6755$
1960.0 MHz



SAW PRODUCTS

COM DEV