

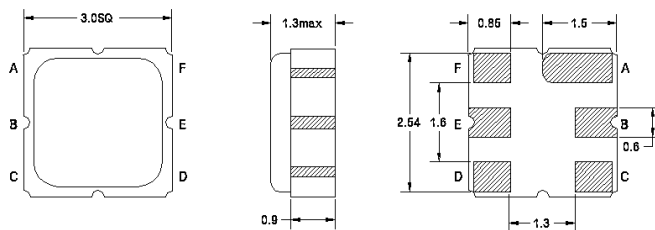
# 2140 MHz WCDMA RF-Rx SAW Filter 162985

## Specifications

Parameter	Unit	Min	Typical	Max
Center Frequency ( $f_0$ )	MHz	-	2140	-
Insertion Loss within 2110 ~ 2170 MHz	dB	-	2.2	3.5
Source Impedance (single ended) <sup>(1)</sup>	$\Omega$	-	50	-
Load Impedance (single ended) <sup>(1)</sup>	$\Omega$	-	50	-
Operating Temperature Range	$^{\circ}\text{C}$	-30	-	+85
Amplitude Ripple within 2110 ~ 2170 MHz	dB <sub>p-p</sub>	-	0.9	1.5
Attenuation:				
D.C. ~ 500 MHz	dB	25	35	-
500 ~ 2025 MHz	dB	20	30	-
2025 ~ 2050 MHz	dB	27	37	-
2230 ~ 2260 MHz	dB	41	51	-
2490 ~ 2550 MHz	dB	31	41	-
VSWR within 2110 ~ 2170 MHz	-	-	1.8	2.5
Maximum DC Voltage	V	-	-	7.5
Maximum Input Power	dBm	-	-	15
Package type & size			M	
Length X Width	mm <sup>2</sup>	-	3.0 X 3.0	-
Height	mm	-	-	1.3

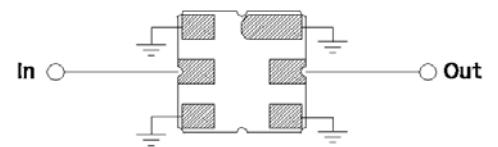
Notes: No Matching Network (Ref. Testing Environment Circuit as shown below).

### Package Outline



PIN Descriptions	
IN	E
Out	B
Ground	A,C,D,F

### Testing Environment



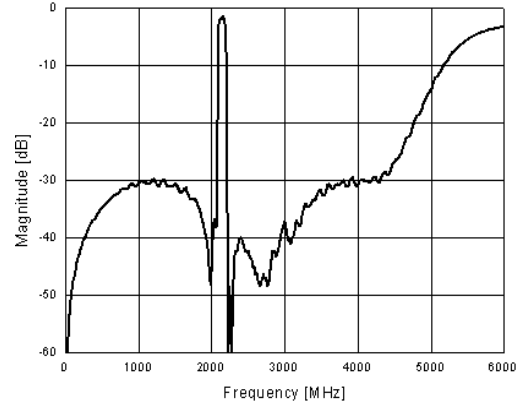
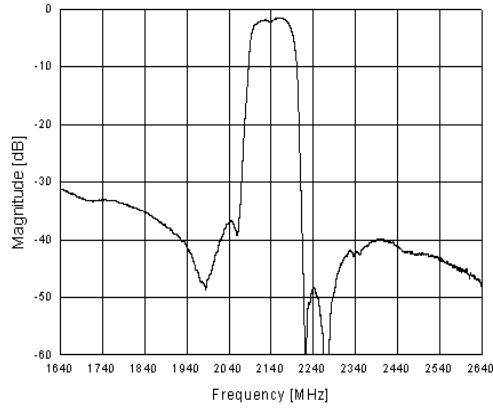
Source & Load Impedance 50 $\Omega$

SAW PRODUCTS

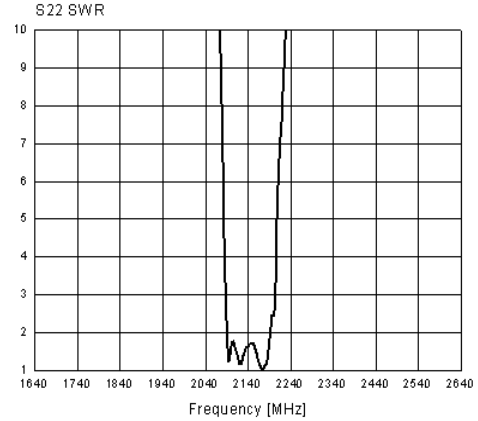
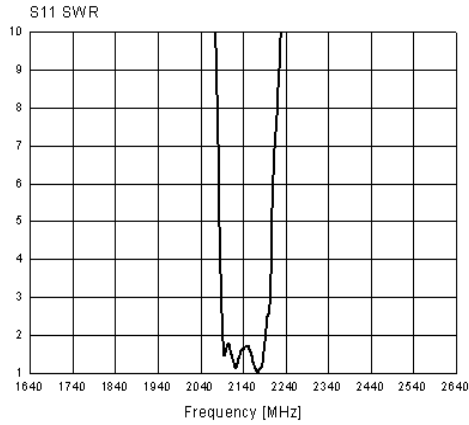
COM DEV

# 2140 MHz WCDMA RF-Rx SAW Filter 162985

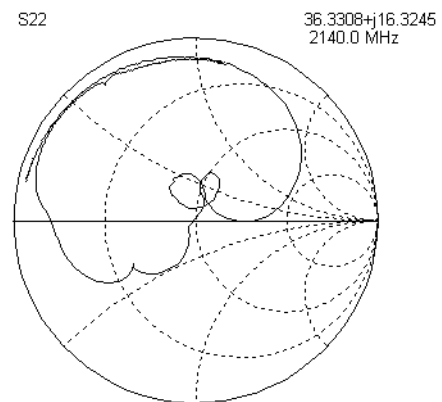
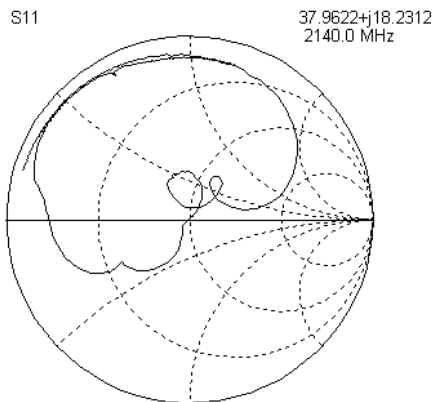
## Frequency Response



## VSWR



## Smith Chart



SAW PRODUCTS

COM DEV