

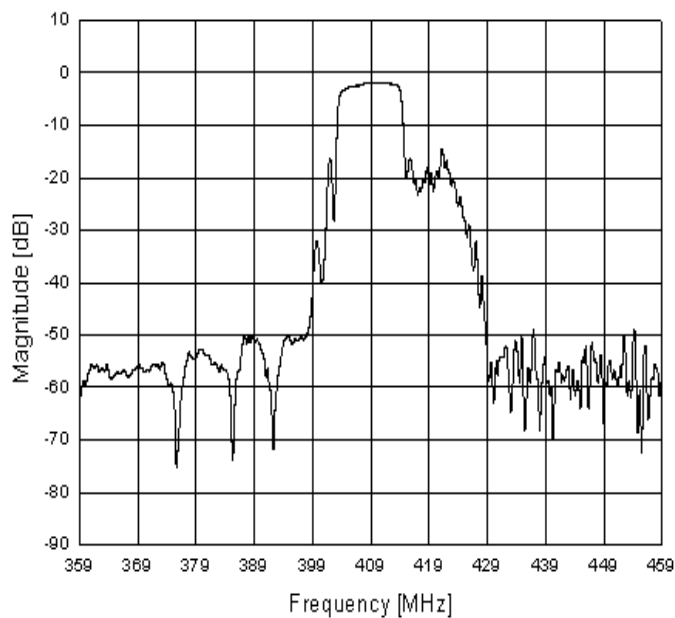
409 MHz SAW Filter

162990

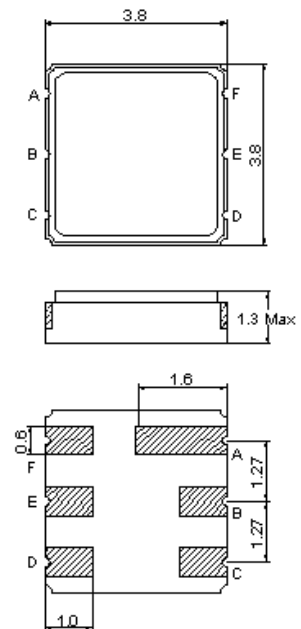
Specifications

Parameter	Unit	Min	Typical	Max
Center Frequency (F_o)	MHz	-	409.0	-
Insertion Loss 407 ~ 411 MHz	dB	-	2.5	3.5
Ripple 407 ~ 411 MHz	dB	-	0.8	1.5
Stop Band Attenuation:				
$F_o - 200.0 \sim F_o - 42.8$ MHz	dB	48	53	-
$F_o + 42.8 \sim F_o + 200.0$ MHz	dB	48	52	-
Terminating Impedance	Ω/pF	50/0		

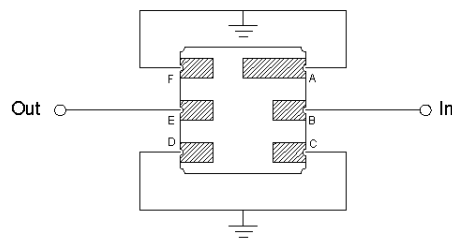
Frequency Response



Package Outline



Testing Environment



PIN Descriptions	
IN	B
Out	E
Ground	A, C, D, F