

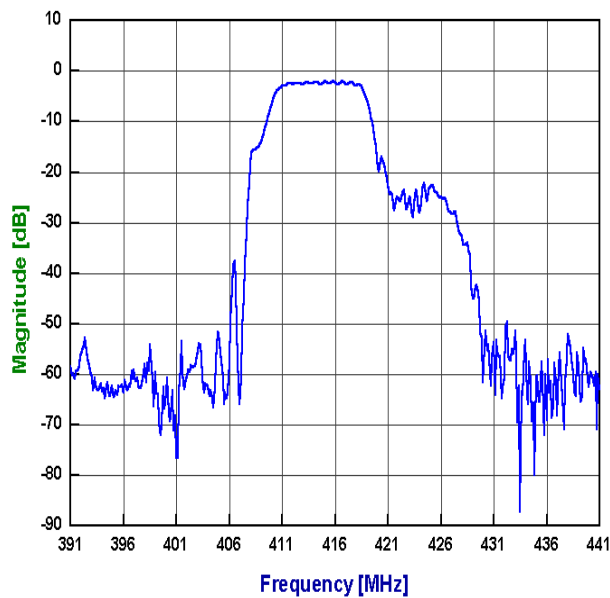
416.0 MHz SAW Filter

162991

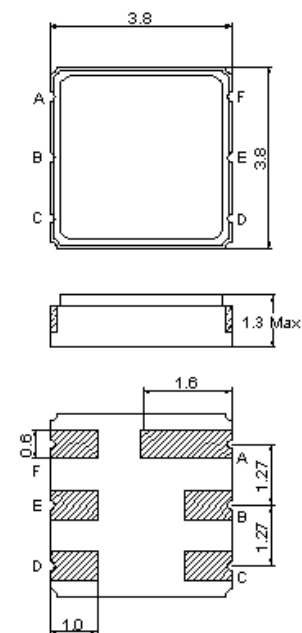
Specifications

Parameter	Unit	Min	Typical	Max
Center Frequency (f_o)	MHz	-	416.0	-
Insertion Loss (a_{min}) within 415 ~ 417 MHz	dB	-	2.7	4.0
Passband Ripple within 415 ~ 417 MHz		-	0.7	1.5
Relative Attenuation:				
$f_o - 200 \sim f_o - 17.0$ MHz	dB	40	52	-
$f_o + 17.0 \sim f_o + 200$ MHz	dB	40	47	-
Terminating Impedance		50 Ω		

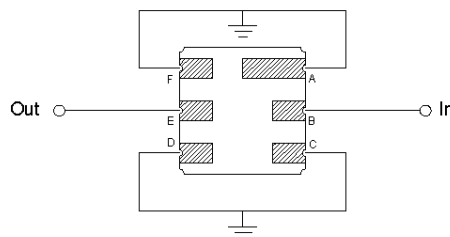
Frequency Response



Package Outline



Testing Environment



PIN Descriptions	
IN	B
Out	E
Ground	A,C,D,F