

MI-3615 Far-Field System - Single-Axis / Vector Network Analyzer

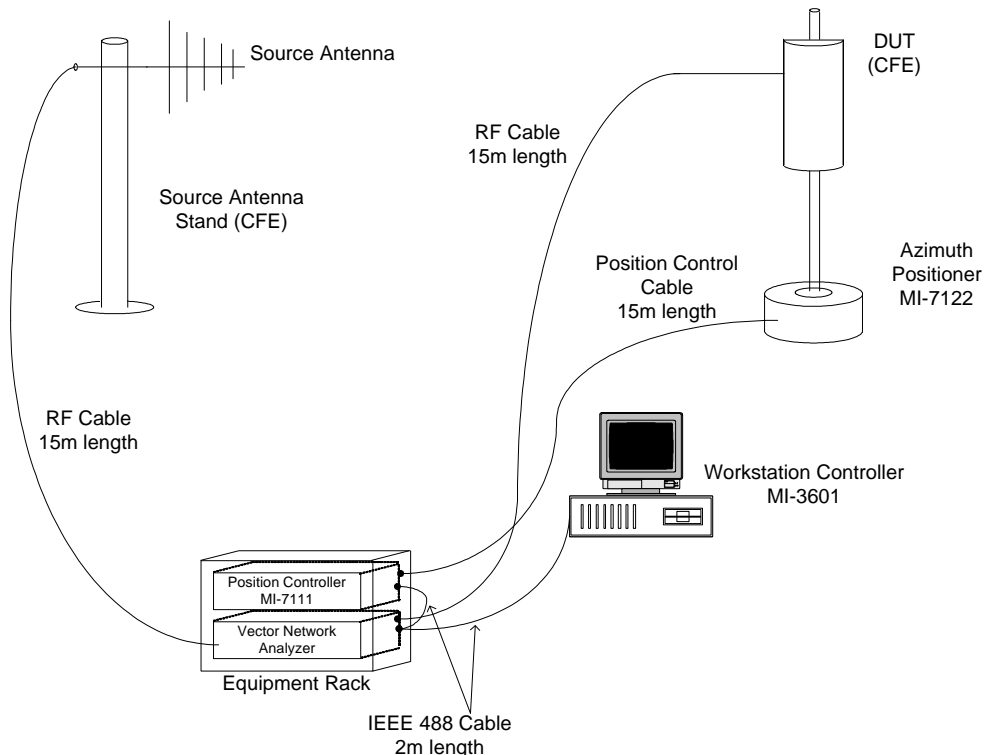
Key Features & Benefits

500 MHz to 6.0 GHz

- Rapid, accurate, continuous measurements using a network analyzer over the extended frequency range of 500 MHz to 6.0 GHz band provide increased flexibility and frequency control.
- Automated pattern measurements with flexible yet basic single-axis DUT positioner offer an economical control solution.
- Extensive analysis software is built-in to simplify pattern evaluation.
- Network analyzer provides superior broadband measurements with high dynamic range and increased frequency resolution.
- Pattern plotting in polar or rectangular format for single or multiple patterns offers the ultimate in flexible data presentation.
- Network connection provides means to easily download data for offline analysis.

Description

The MI-3615 is a high-end, single-axis far-field measurement system in the MI-3600 family designed for the Wireless market. Assembled to meet the needs of the most demanding test and measurement environments, the MI-3615 is a complete instrumentation system consisting of a workstation computer and software, azimuth positioner for rotating the Device-Under-Test (DUT), position controller, network analyzer, and broadband linearly polarized log periodic source antenna. The distinguishing elements of the MI-3615 are the network analyzer which combines a broadband receiver with a broadband transmitter with coverage to 6.0 GHz and single-axis DUT positioner. The system provides superior ease of use that includes setup, test parameter provisioning, data acquisition, and data analysis. Using the workstation controller, an operator can select the transmit frequencies of operation and record the received signal from the broadband, highly accurate vector network analyzer. Various options include standard gain antennas for calibration, masts for source antenna and DUT positioner, longer signal and control cables and absorber.



MI-3615 Specifications

System Workstation:

- MI-3601 software and computer with monitor, keyboard, mouse, color printer, ethernet card, IEEE card
- Antenna measurement, analysis and plotting software
 - ▲ Automatic calculation of beam width, beam peak, location and depth of nulls, location and level of side-lobes, and gain
 - ▲ Polar or rectangular format plots

Receiver and Signal Source:

- Vector Network Analyzer
- Dynamic range: 100 dB
- Input impedance: 50 ohms
- Source power: 5 dBm max

Positioner:

- MI-7122 Azimuth Positioner
 - ▲ Diameter: 0.8 meter (31.5 inches)
 - ▲ Vertical load handling: 75 kg (165 lbs)
 - ▲ Speed: 0.3 to 3 rpm
 - ▲ Rotation: ± 200 degrees
 - ▲ Angular accuracy: 0.5 degrees

Position Controller:

- MI-7111 single-axis, IEEE 488 based

Source Antenna:

- Linearly polarized, log periodic

Cables:

- Cables are provided to support equipment separation up to 15 meters.

Options:

- Standard gain antennas are available.
- Contact factory for alternate configurations.



Turntable Positioner