

MI-6970 Family of Waveguide Probes

Key Features & Benefits

- Rectangular open-ended waveguide
- Tapered ends to minimize diffraction effects
- Standard MI interface mounting flanges
- Various waveguide to coaxial transitions available for probes below 50 GHz
- Cost-effective for a variety of applications



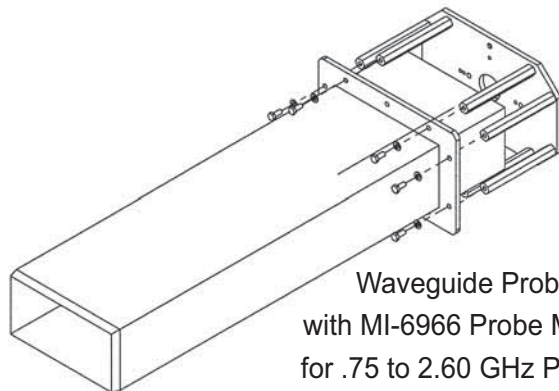
Description

MI Technologies' open-ended waveguide probes are ideally suited for near-field measurements.

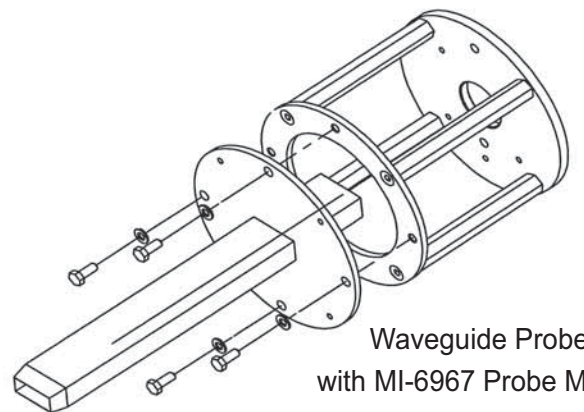
These probes are used to sample the radiated electromagnetic field of an antenna under test while minimally perturbing the incident field.

MI Technologies' probes are designed for minimum VSWR, long-term stability and excellent repeatability.

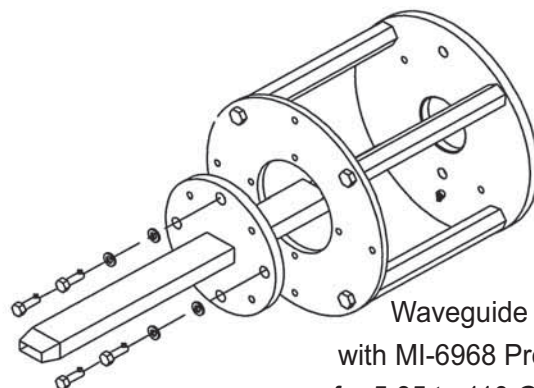
The MI-6970 family of waveguide probes cover standard waveguide bands and are offered with a variety of connectors or open waveguide flanges.



Waveguide Probe
with MI-6966 Probe Mount
for .75 to 2.60 GHz Probes



Waveguide Probe
with MI-6967 Probe Mount
for 2.60 to 5.85 GHz Probes

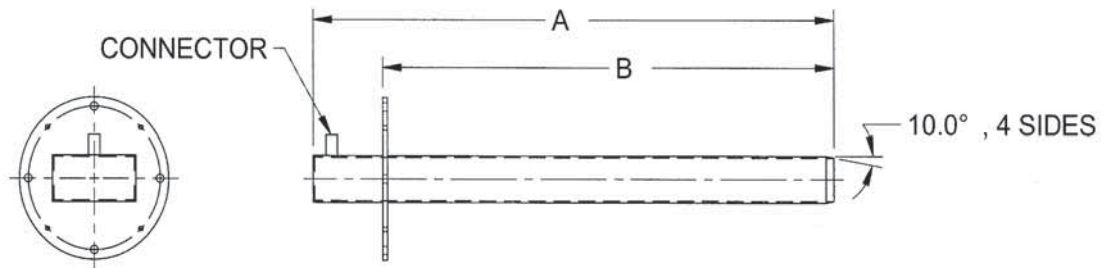


Waveguide Probe
with MI-6968 Probe Mount
for 5.85 to 110 GHz Probes



1-800-854-3660
www.mi-technologies.com

MI-6970 Family of Waveguide Probes



Product Specifications

MI Technologies Waveguide Probe Table

Model Number	Frequency Range	Overall Length Inches/(MM) A (*)	Length From Flange Inches/(MM) B (*)	Wave Guide Material (*)	Connector/ Flange Type (*)	Optional Probe Mount
MI-6970-WR975	0.75-1.12 GHz	38.0/(964)	32.0/(812)	AL	N	MI-6966
MI-6970-WR770	0.96-1.45 GHz	38.0/(964)	32.0/(812)	AL	N	MI-6966
MI-6970-WR650	1.12-1.7 GHz	38.0/(964)	32.0/(812)	AL	N	MI-6966
MI-6970-WR510	1.45-2.20 GHz	38.0/(964)	32.0/(812)	AL	N	MI-6966
MI-6970-WR430	1.7-2.6 GHz	28.0/(711)	24.0/(609)	AL	N	MI-6966
MI-6970-WR340	2.20-3.30 GHz	28.0/(711)	24.0/(609)	AL	N	MI-6967
MI-6970-WR284	2.6-3.95 GHz	19.0/(482)	16.0/(406)	AL	N	MI-6967
MI-6970-WR229	3.30-4.90 GHz	19.0/(482)	16.0/(406)	AL	N	MI-6967
MI-6970-WR187	3.95-5.85 GHz	15.0/(381)	12.0/(305)	AL	N	MI-6967
MI-6970-WR159	4.90-7.05 GHz	15.0/(381)	12.0/(305)	AL	N	MI-6968
MI-6970-WR137	5.85-8.2 GHz	15.0/(381)	12.0/(305)	AL	N	MI-6968
MI-6970-WR112	7.05-10.0 GHz	15.0/(381)	12.0/(305)	AL	N	MI-6968
MI-6970-WR90	8.20-12.4 GHz	15.0/(381)	12.0/(305)	Cu	Precision N	MI-6968
MI-6970-WR75	10.0-15.0 GHz	15.0/(381)	12.0/(305)	Cu	Precision N	MI-6968
MI-6970-WR62	12.4-18.0 GHz	13.0/(330)	10.0/(254)	Cu	3.5mm	MI-6968
MI-6970-WR62-N	12.4-18.0 GHz	13.0/(330)	10.0/(254)	Cu	Precision N	MI-6968
MI-6970-WR51	15.0-22.0 GHz	13.0/(330)	10.0/(254)	Cu	3.5mm	MI-6968
MI-6970-WR42-K	18.0-26.5 GHz	12.0/(305)	10.0/(254)	Cu	K	MI-6968
MI-6970-WR42	18.0-26.5 GHz	12.0/(305)	10.0/(254)	Cu	3.5mm	MI-6968
MI-6970-WR34	22.0-33.0 GHz	12.0/(305)	10.0/(254)	Cu	K	MI-6968
MI-6970-WR28	26.5-40.0 GHz	12.0/(305)	10.0/(254)	Cu	K	MI-6968
MI-6970-WR22	33.0-50.0 GHz	12.0/(305)	10.0/(254)	Cu	K	MI-6968
MI-6970-WR15	50.0-75.0 GHz	12.0/(305)	10.0/(254)	Cu	UG 385	MI-6968
MI-6970-WR12	60.0-90.0 GHz	12.0/(305)	10.0/(254)	Cu	UG 387	MI-6968
MI-6970-WR10	75.0-110 GHz	12.0/(305)	10.0/(254)	Cu	UG 387	MI-6968

* Other options available. Contact factory for more options and custom probes.

Additional Options include Absorber, Pattern/Gain Calibrations, Customized Mounting Flanges

The export of the equipment or components thereof, described herein, or export of the technical data associated with such items, may require the advance approval of the U.S. Government.

