



## microSI

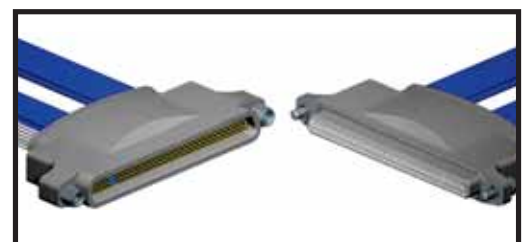
### VERTICAL, RIGHT ANGLE AND CABLE



The AirBorn microSI product line is designed to meet requirements for signal integrity applications while still delivering the reliability customers have come to expect from AirBorn. The AirBorn microSI delivers flexibility in design by offering vertical board-mount, right angle board-mount, and cable I/O configurations supporting 1X, 4X, and 8X 100  $\Omega$  differential serial buses. Its balanced design limits skew within pairs. The MIL-DTL-83513 (Micro-D) qualified contact system and metal shells ensure ruggedness and durability.

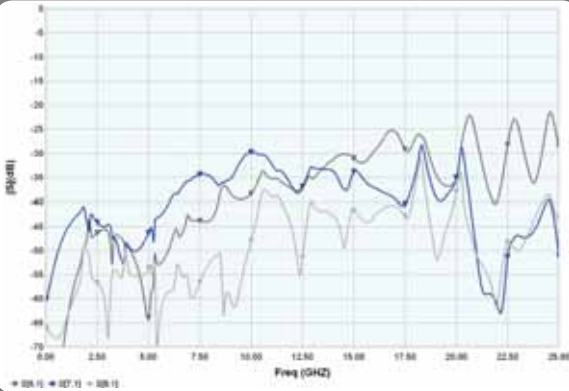
### FEATURES AND BENEFITS

- High-speed Micro-D optimized up to 10 GB/s
- Configured for serial buses 1x, 4x and 8x
- Field tested – four independent fine, gold plated contact system offers superior performance and reliability
- Versatile product offering including both genders of vertical board, right angle board, and cable
- Rugged metal shells and hoods
- Shell-to-shell EMI interface gasket
- Shell ground independent of signal pair grounds
- Balanced lengths within pairs limit skew
- 9 sideband connections included

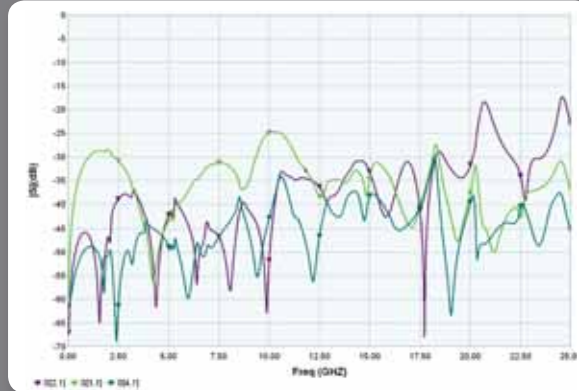


MSIB-

## SI PERFORMANCE SUMMARY FOR MATED RIGHT ANGLE SET



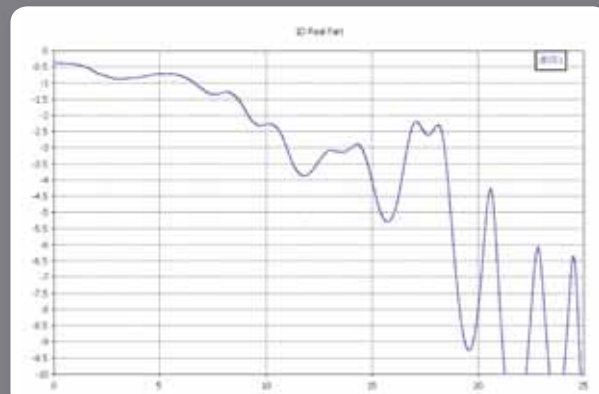
FAR END CROSSTALK, PORT 1 DRIVEN



NEAR END CROSSTALK, PORT 1 DRIVEN

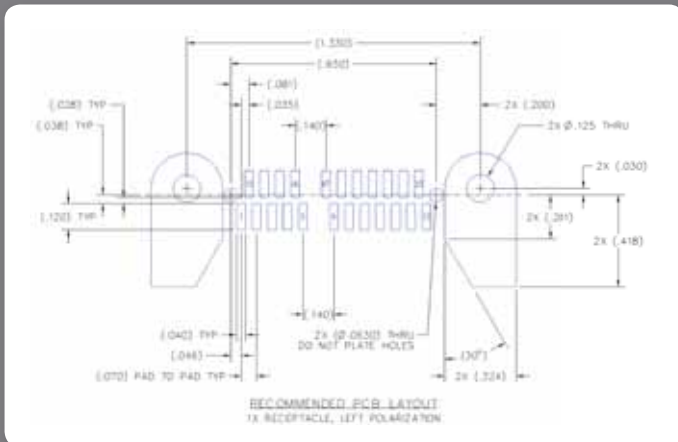


RETURN LOSS

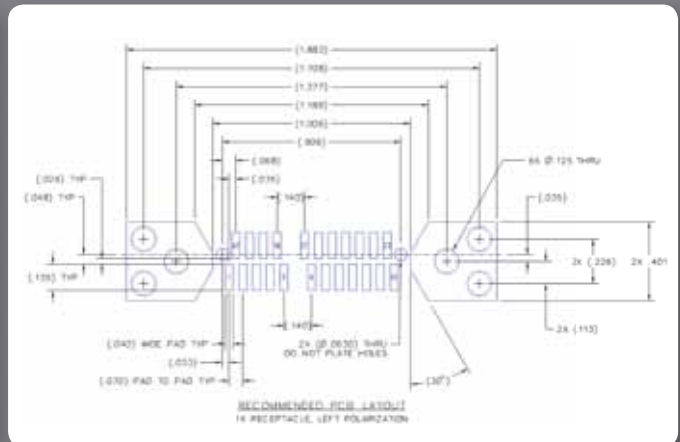


INSERTION LOSS, OUTSIDE ROW

### 1x PCB FOOTPRINT



RIGHT ANGLE



VERTICAL



CONTACT CUSTOMER SERVICE  
CALL 512-863-5585 x6464

VISIT US ONLINE

[www.airborn.com](http://www.airborn.com)

